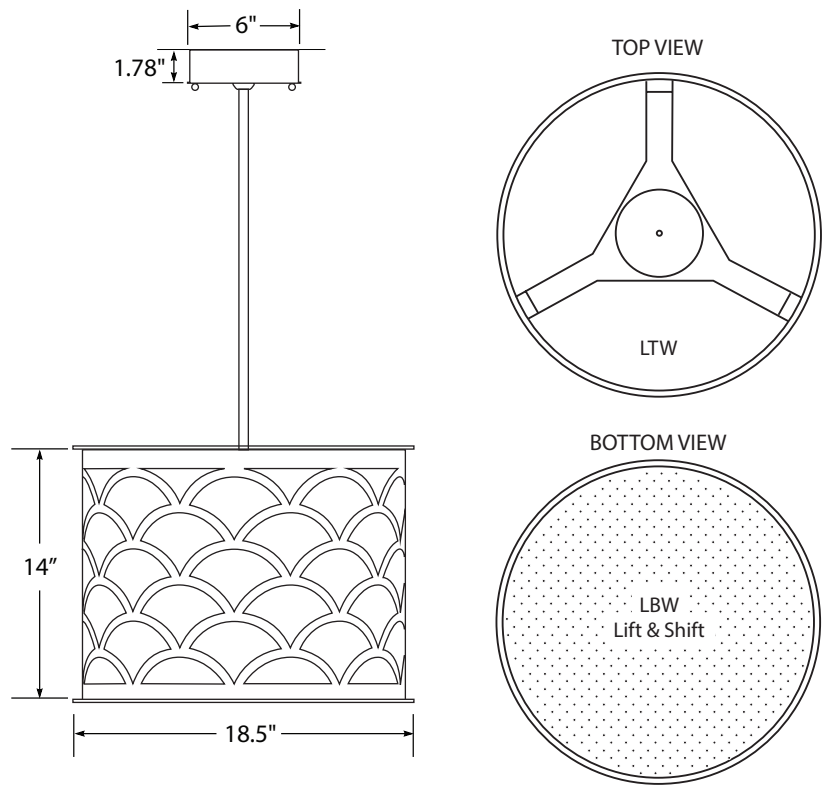


# Scallop 18" Pendant P61801

Design modifications are always welcome.



- Welded steel / aluminum
- LUMENATE® washable diffuser
- LBW etched white acrylic bottom lens
- LTW white acrylic top lens
- Field cuttable ball swivel stem
- Canopy finished to match frame
- Mounts to standard J-box
- Suitable for damp locations

weight: 10 lbs  
 US LISTED  
 MADE IN USA

<b>P61801</b>						
<b>STEM</b>	<b>FINISH</b>	<b>DIFFUSER</b>	<b>LAMPING</b>		<b>VOLTAGE</b>	
Specify 1" increments 3" - 60"	F2 Chrome F3 Black F4 Earth F5 Copper F6 Brass F7 Bronze F8 Steel F10 Hammered Copper F11 White	Select from any of our <b>LUMENATE®</b> Diffuser options.	L411 - LED 1654 Delivered Lumens 21W 3000K Dimming: 0-10V 1% UNV or 120V Phase  Please contact customer service for component specifications including additional color temperatures.  Lamps not included: CFL 1/32W TBX-GX24Q-3 INC 1/Med. Base		120V 277V 347V CFL Only	

## + OPTIONS

### SUSPENSION OPTIONS

**STM** - Additional Stem Length  
Specify length & color

**CXX** - Cord with three Suspension Cables  
(Silver braided cord is not available with LED)

**A200** - Wall Mount Arc 34"

### CANOPY OPTIONS

**CAC** - Canopy Alternative Color  
**CR432** - Cluster Canopy\* 4.5" x 42"  
**CR860** - Cluster Canopy\* 8" x 60"  
 \* Specify arrangement and heights.

### LENS OPTIONS

**LTC3** - Top Lens Clear Acrylic  
**LTY3** - Top Lens Metal Perf.  
**LTO3** - Top Lens Opaque  
**LBY3** - Bottom Lens Metal Perf.  
**LBA3** - Applied LUMENATE® Bottom Lens

### LED OPTIONS

**EMR** - Remote Emergency Battery Backup  
Requires Stem or 2 Power Cords

### CFL BALLAST OPTIONS

**BDLI** - Dimming Ballast Lutron Internal  
**BDAI** - Dimming Ballast Advance Internal  
**BER** - Emergency Ballast Remote

Project Name	Specifier Name & Location	Quantity
<input type="text"/>	<input type="text"/>	<input type="text"/>



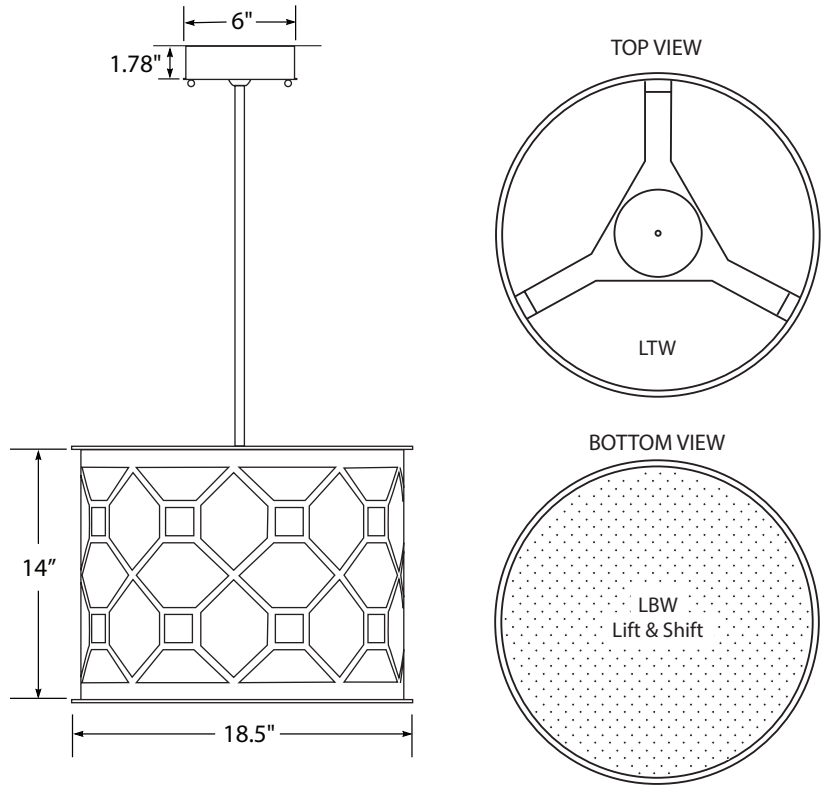
Notes

Lumetta Inc., 33 Minnesota Ave., Warwick, RI 02888 t 401-691-3994 f 401-921-1310 [www.lumetta.com](http://www.lumetta.com)

This design is the intellectual property of Lumetta, Inc. All rights reserved. Specifications are subject to change without notice.

# Imperial 18" Pendant P61802

Design modifications are always welcome.



- Welded steel / aluminum
- LUMENATE® washable diffuser
- LBW etched white acrylic bottom lens
- LTW white acrylic top lens
- Field cuttable ball swivel stem
- Canopy finished to match frame
- Mounts to standard J-box
- Suitable for damp locations

weight: 10 lbs  
 US LISTED  
 MADE IN USA

<b>P61802</b>						
<b>STEM</b>	<b>FINISH</b>	<b>DIFFUSER</b>	<b>LAMPING</b>	<b>VOLTAGE</b>		
Specify 1" increments 3" - 60"	F2 Chrome F3 Black F4 Earth F5 Copper F6 Brass F7 Bronze F8 Steel F10 Hammered Copper F11 White	Select from any of our <b>LUMENATE®</b> Diffuser options.	L411 - LED 1654 Delivered Lumens 21W 3000K Dimming: 0-10V 1% UNV or 120V Phase  Please contact customer service for component specifications including additional color temperatures.  Lamps not included: CFL 1/32W TBX-GX24Q-3 INC 1/Med. Base	120V 277V 347V CFL Only		

## + OPTIONS

### SUSPENSION OPTIONS

**STM** - Additional Stem Length  
Specify length & color

**CXX** - Cord with three Suspension Cables  
(Silver braided cord is not available with LED)

**A200** - Wall Mount Arc 34"

### CANOPY OPTIONS

**CAC** - Canopy Alternative Color  
**CR432** - Cluster Canopy\* 4.5" x 42"  
**CR860** - Cluster Canopy\* 8" x 60"  
 \* Specify arrangement and heights.

### LENS OPTIONS

**LTC3** - Top Lens Clear Acrylic  
**LTY3** - Top Lens Metal Perf.  
**LTO3** - Top Lens Opaque  
**LBY3** - Bottom Lens Metal Perf.  
**LBA3** - Applied LUMENATE® Bottom Lens

### LED OPTIONS

**EMR** - Remote Emergency Battery Backup  
Requires Stem or 2 Power Cords

### CFL BALLAST OPTIONS

**BDLI** - Dimming Ballast Lutron Internal  
**BDAI** - Dimming Ballast Advance Internal  
**BER** - Emergency Ballast Remote

Project Name	Specifier Name & Location	Quantity
<input type="text"/>	<input type="text"/>	<input type="text"/>



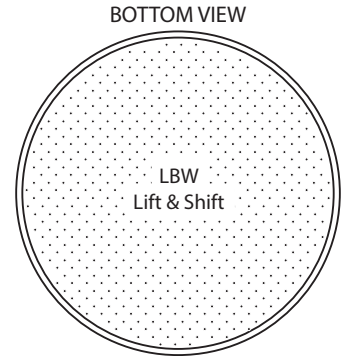
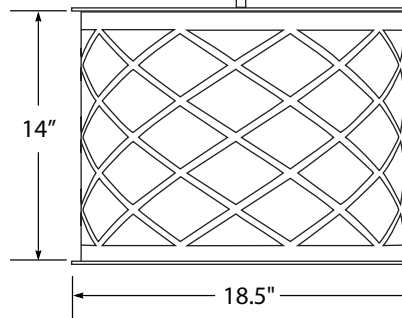
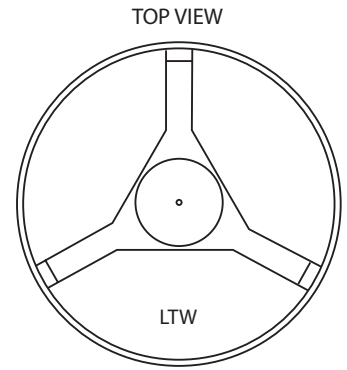
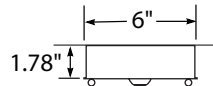
Notes

Lumetta Inc., 33 Minnesota Ave., Warwick, RI 02888 t 401-691-3994 f 401-921-1310 [www.lumetta.com](http://www.lumetta.com)

This design is the intellectual property of Lumetta, Inc. All rights reserved. Specifications are subject to change without notice.

# Diamond 18" Pendant P61803

Design modifications are always welcome.



- Welded steel / aluminum
- LUMENATE® washable diffuser
- LBW etched white acrylic bottom lens
- LTW white acrylic top lens
- Field cuttable ball swivel stem
- Canopy finished to match frame
- Mounts to standard J-box
- Suitable for damp locations

weight: 10 lbs  
 US LISTED  
 MADE IN USA

P61803						
<b>STEM</b>	<b>FINISH</b>	<b>DIFFUSER</b>	<b>LAMPING</b>	<b>VOLTAGE</b>		
Specify 1" increments 3" - 60"	F2 Chrome F3 Black F4 Earth F5 Copper F6 Brass F7 Bronze F8 Steel F10 Hammered Copper F11 White	Select from any of our <b>LUMENATE®</b> Diffuser options.	L411 - LED 1654 Delivered Lumens 21W 3000K Dimming: 0-10V 1% UNV or 120V Phase  Please contact customer service for component specifications including additional color temperatures.  Lamps not included: CFL 1/32W TBX-GX24Q-3 INC 1/Med. Base	120V 277V 347V CFL Only		

## + OPTIONS

### SUSPENSION OPTIONS

**STM** - Additional Stem Length  
Specify length & color

**CXX** - Cord with three Suspension Cables  
(Silver braided cord is not available with LED)

**A200** - Wall Mount Arc 34"

### CANOPY OPTIONS

**CAC** - Canopy Alternative Color  
**CR432** - Cluster Canopy\* 4.5" x 42"  
**CR860** - Cluster Canopy\* 8" x 60"  
 \* Specify arrangement and heights.

### LENS OPTIONS

**LTC3** - Top Lens Clear Acrylic  
**LTY3** - Top Lens Metal Perf.  
**LTO3** - Top Lens Opaque  
  
**LBY3** - Bottom Lens Metal Perf.  
**LBA3** - Applied LUMENATE® Bottom Lens

### LED OPTIONS

**EMR** - Remote Emergency Battery Backup  
Requires Stem or 2 Power Cords

### CFL BALLAST OPTIONS

**BDLI** - Dimming Ballast Lutron Internal  
**BDAI** - Dimming Ballast Advance Internal  
**BER** - Emergency Ballast Remote

Project Name	Specifier Name & Location	Quantity
<input type="text"/>	<input type="text"/>	<input type="text"/>



Notes

Lumetta Inc., 33 Minnesota Ave., Warwick, RI 02888 t 401-691-3994 f 401-921-1310 [www.lumetta.com](http://www.lumetta.com)

This design is the intellectual property of Lumetta, Inc. All rights reserved. Specifications are subject to change without notice.

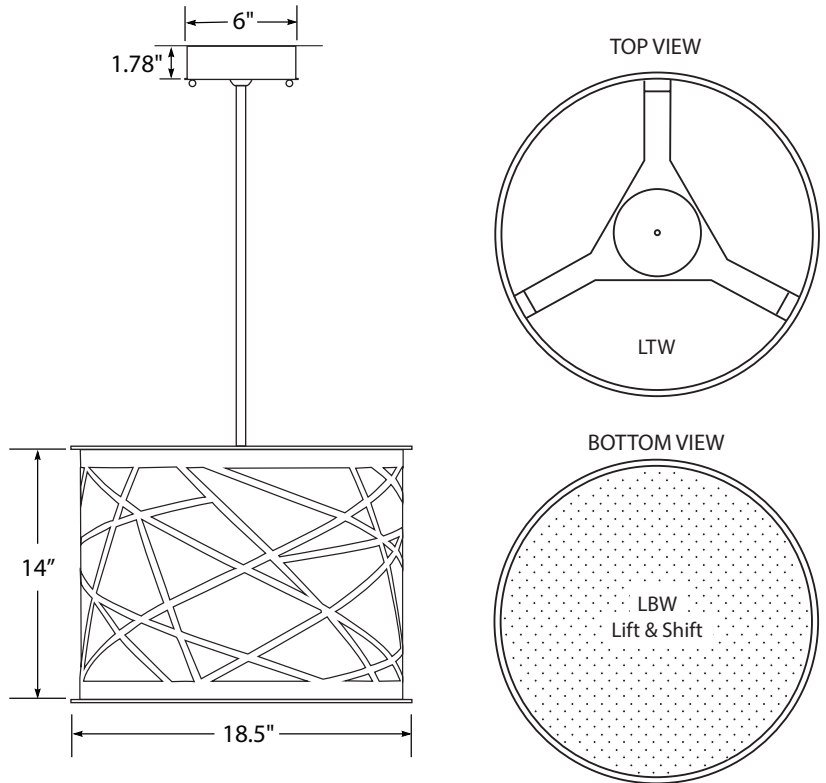
# Xina 18" Pendant P61804

Design modifications are always welcome.



- Welded steel / aluminum
- LUMENATE® washable diffuser
- LBW etched white acrylic bottom lens
- LTW white acrylic top lens
- Field cuttable ball swivel stem
- Canopy finished to match frame
- Mounts to standard J-box
- Suitable for damp locations

weight: 10 lbs  
 US LISTED  
 MADE IN USA



P61804						
<b>STEM</b>	<b>FINISH</b>	<b>DIFFUSER</b>	<b>LAMPING</b>	<b>VOLTAGE</b>		
Specify 1" increments 3" - 60"	F2 Chrome F3 Black F4 Earth F5 Copper F6 Brass F7 Bronze F8 Steel F10 Hammered Copper F11 White	Select from any of our <b>LUMENATE®</b> Diffuser options.	L411 - LED 1654 Delivered Lumens 21W 3000K Dimming: 0-10V 1% UNV or 120V Phase  Please contact customer service for component specifications including additional color temperatures.  Lamps not included: CFL 1/32W TBX-GX24Q-3 INC 1/Med. Base	120V 277V 347V CFL Only		

## + OPTIONS

### SUSPENSION OPTIONS

**STM** - Additional Stem Length  
Specify length & color

**CXX** - Cord with three Suspension Cables  
(Silver braided cord is not available with LED)

**A200** - Wall Mount Arc 34"

### CANOPY OPTIONS

**CAC** - Canopy Alternative Color  
**CR432** - Cluster Canopy\* 4.5" x 42"  
**CR860** - Cluster Canopy\* 8" x 60"  
 \* Specify arrangement and heights.

### LENS OPTIONS

**LTC3** - Top Lens Clear Acrylic  
**LTY3** - Top Lens Metal Perf.  
**LTO3** - Top Lens Opaque  
**LBY3** - Bottom Lens Metal Perf.  
**LBA3** - Applied LUMENATE® Bottom Lens

### LED OPTIONS

**EMR** - Remote Emergency Battery Backup  
Requires Stem or 2 Power Cords

### CFL BALLAST OPTIONS

**BDLI** - Dimming Ballast Lutron Internal  
**BDAI** - Dimming Ballast Advance Internal  
**BER** - Emergency Ballast Remote

Project Name	Specifier Name & Location	Quantity
<input type="text"/>	<input type="text"/>	<input type="text"/>



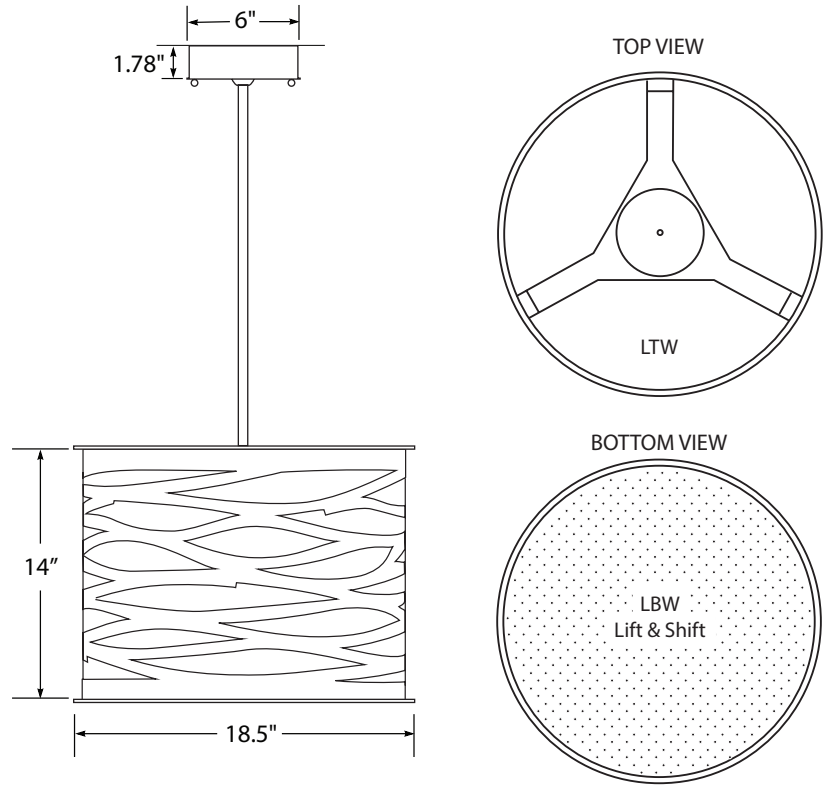
Notes

Lumetta Inc., 33 Minnesota Ave., Warwick, RI 02888 t 401-691-3994 f 401-921-1310 [www.lumetta.com](http://www.lumetta.com)

This design is the intellectual property of Lumetta, Inc. All rights reserved. Specifications are subject to change without notice.

# Traverse 18" Pendant P61805

Design modifications are always welcome.



- Welded steel / aluminum
- LUMENATE® washable diffuser
- LBW etched white acrylic bottom lens
- LTW white acrylic top lens
- Field cuttable ball swivel stem
- Canopy finished to match frame
- Mounts to standard J-box
- Suitable for damp locations

weight: 10 lbs  
 UL US LISTED  
 MADE IN USA

P61805						
<b>STEM</b>	<b>FINISH</b>	<b>DIFFUSER</b>	<b>LAMPING</b>	<b>VOLTAGE</b>		
Specify 1" increments 3" - 60"	F2 Chrome F3 Black F4 Earth F5 Copper F6 Brass F7 Bronze F8 Steel F10 Hammered Copper F11 White	Select from any of our <b>LUMENATE®</b> Diffuser options.	L411 - LED 1654 Delivered Lumens 21W 3000K Dimming: 0-10V 1% UNV or 120V Phase  Please contact customer service for component specifications including additional color temperatures.  Lamps not included: CFL 1/32W TBX-GX24Q-3 INC 1/Med. Base	120V 277V 347V CFL Only		

## + OPTIONS

### SUSPENSION OPTIONS

- STM** - Additional Stem Length  
Specify length & color
- CXX** - Cord with three Suspension Cables  
(Silver braided cord is not available with LED)
- A200** - Wall Mount Arc 34"

### CANOPY OPTIONS

- CAC** - Canopy Alternative Color
- CR432** - Cluster Canopy\* 4.5" x 42"
- CR860** - Cluster Canopy\* 8" x 60"
- \* Specify arrangement and heights.

### LENS OPTIONS

- LTC3** - Top Lens Clear Acrylic
- LTY3** - Top Lens Metal Perf.
- LTO3** - Top Lens Opaque
- LBY3** - Bottom Lens Metal Perf.
- LBA3** - Applied LUMENATE® Bottom Lens

### LED OPTIONS

- EMR** - Remote Emergency Battery Backup  
Requires Stem or 2 Power Cords

### CFL BALLAST OPTIONS

- BDLI** - Dimming Ballast Lutron Internal
- BDAI** - Dimming Ballast Advance Internal
- BER** - Emergency Ballast Remote

Project Name	Specifier Name & Location	Quantity
<input type="text"/>	<input type="text"/>	<input type="text"/>



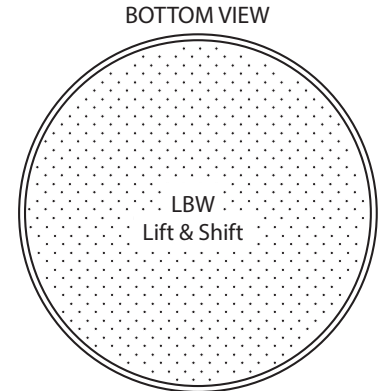
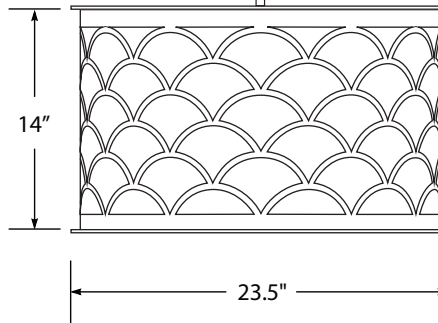
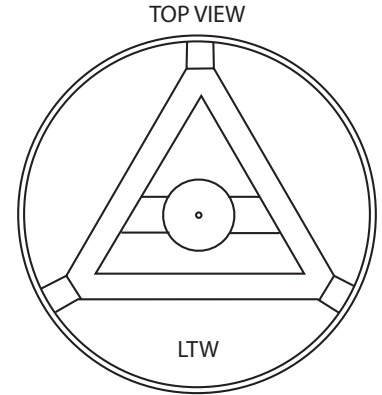
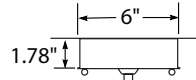
Notes

Lumetta Inc., 33 Minnesota Ave., Warwick, RI 02888 t 401-691-3994 f 401-921-1310 [www.lumetta.com](http://www.lumetta.com)

This design is the intellectual property of Lumetta, Inc. All rights reserved. Specifications are subject to change without notice.

# Scallop 23" Pendant P62301

Design modifications are always welcome.



- Welded steel / aluminum
  - LUMENATE® washable diffuser
  - LBW etched white acrylic bottom lens
  - LTW white acrylic top lens
  - Field cuttable ball swivel stem
  - Canopy finished to match frame
  - Mounts to standard J-box
  - Suitable for damp locations
- weight: 12 lbs  
 US LISTED  
 MADE IN USA

<b>P62301</b>						
<b>STEM</b>	<b>FINISH</b>	<b>DIFFUSER</b>	<b>LAMPING</b>	<b>VOLTAGE</b>		
Specify 1" increments 3" - 60"	F2 Chrome F3 Black F4 Earth F5 Copper F6 Brass F7 Bronze F8 Steel F10 Hammered Copper F11 White	Select from any of our <b>LUMENATE®</b> Diffuser options.	L412 - LED 4280 Initial Lumens 42 W 3000K Dimming: 0-10V 1% UNV or 120V Phase L413 - LED 6420 Initial Lumens 63 W 3000K Dimming: 0-10V 1% UNV or 120V Phase <i>Please contact customer service for component specifications including additional color temperatures.</i> Lamps not included: CFL 4/32W TBX-GX24Q-3 INC 3/Med. Base	120V 277V 347V CFL Only		

## + OPTIONS

### SUSPENSION OPTIONS

**STM** - Additional Stem Length  
Specify length & color

**CXX** - Cord with three Suspension Cables  
(Silver braided cord is not available with LED)

**A200** - Wall Mount Arc 34"

### CANOPY OPTIONS

**CAC** - Canopy Alternative Color  
**CR432** - Cluster Canopy\* 4.5" x 42"  
**CR860** - Cluster Canopy\* 8" x 60"  
\* Specify arrangement and heights.

### LENS OPTIONS

**LTC3** - Top Lens Clear Acrylic  
**LTY3** - Top Lens Metal Perf.  
**LTO3** - Top Lens Opaque

**LBY3** - Bottom Lens Metal Perf.  
**LBA3** - Applied LUMENATE® Bottom Lens

### LED OPTIONS

**EMR** - Remote Emergency Battery Backup  
Requires Stem or 2 Power Cords

### CFL BALLAST OPTIONS

**BDLI** - Dimming Ballast Lutron Internal  
**BDAI** - Dimming Ballast Advance Internal  
**BEI** - Emergency Ballast Internal

Project Name	Specifier Name & Location	Quantity
<input type="text"/>	<input type="text"/>	<input type="text"/>



Notes

Lumetta Inc., 33 Minnesota Ave., Warwick, RI 02888 t 401-691-3994 f 401-921-1310 [www.lumetta.com](http://www.lumetta.com)

This design is the intellectual property of Lumetta, Inc. All rights reserved. Specifications are subject to change without notice.

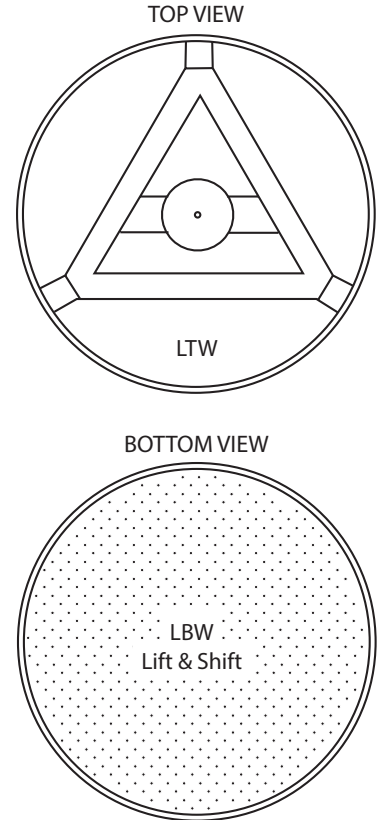
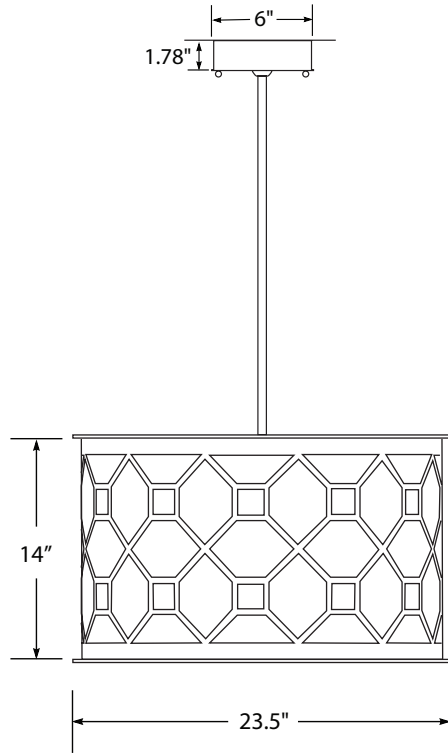
# Imperial 23" Pendant P62302

Design modifications are always welcome.



- Welded steel / aluminum
- LUMENATE® washable diffuser
- LBW etched white acrylic bottom lens
- LTW white acrylic top lens
- Field cuttable ball swivel stem
- Canopy finished to match frame
- Mounts to standard J-box
- Suitable for damp locations

weight: 12 lbs  
 US LISTED  
 MADE IN USA



<b>P62302</b>						
<b>STEM</b>	<b>FINISH</b>	<b>DIFFUSER</b>	<b>LAMPING</b>	<b>VOLTAGE</b>		
Specify 1" increments 3" - 60"	F2 Chrome F3 Black F4 Earth F5 Copper F6 Brass F7 Bronze F8 Steel F10 Hammered Copper F11 White	Select from any of our <b>LUMENATE®</b> Diffuser options.	L412 - LED 4280 Initial Lumens 42 W 3000K Dimming: 0-10V 1% UNV or 120V Phase L413 - LED 6420 Initial Lumens 63 W 3000K Dimming: 0-10V 1% UNV or 120V Phase <i>Please contact customer service for component specifications including additional color temperatures.</i> Lamps not included: CFL 4/32W TBX-GX24Q-3 INC 3/Med. Base	120V 277V 347V CFL Only		

## + OPTIONS

### SUSPENSION OPTIONS

**STM** - Additional Stem Length  
Specify length & color

**CXX** - Cord with three Suspension Cables  
(Silver braided cord is not available with LED)

**A200** - Wall Mount Arc 34"

### CANOPY OPTIONS

**CAC** - Canopy Alternative Color  
**CR432** - Cluster Canopy\* 4.5" x 42"  
**CR860** - Cluster Canopy\* 8" x 60"  
\* Specify arrangement and heights.

### LENS OPTIONS

**LTC3** - Top Lens Clear Acrylic  
**LTY3** - Top Lens Metal Perf.  
**LTO3** - Top Lens Opaque

**LBY3** - Bottom Lens Metal Perf.  
**LBA3** - Applied LUMENATE® Bottom Lens

### LED OPTIONS

**EMR** - Remote Emergency Battery Backup  
Requires Stem or 2 Power Cords

### CFL BALLAST OPTIONS

**BDLI** - Dimming Ballast Lutron Internal  
**BDAI** - Dimming Ballast Advance Internal  
**BEI** - Emergency Ballast Internal

Project Name	Specifier Name & Location	Quantity
<input type="text"/>	<input type="text"/>	<input type="text"/>



Notes

Lumetta Inc., 33 Minnesota Ave., Warwick, RI 02888 t 401-691-3994 f 401-921-1310 [www.lumetta.com](http://www.lumetta.com)

This design is the intellectual property of Lumetta, Inc. All rights reserved. Specifications are subject to change without notice.

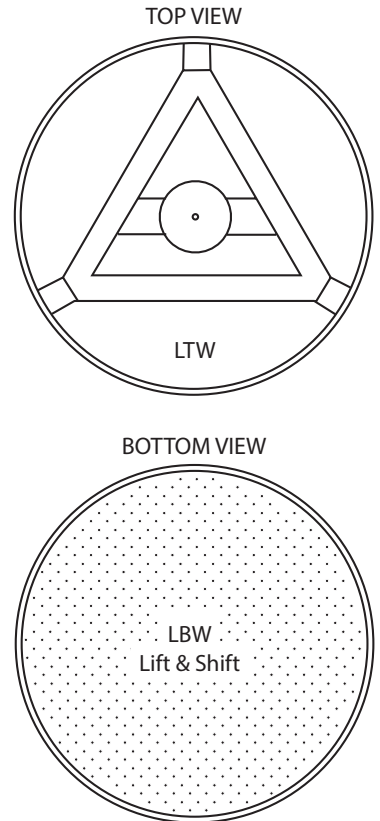
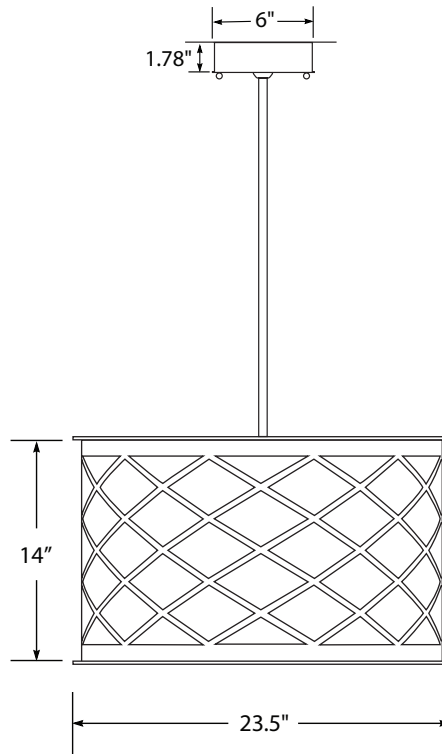
# Diamond 23" Pendant P62303

Design modifications are always welcome.



- Welded steel / aluminum
- LUMENATE® washable diffuser
- LBW etched white acrylic bottom lens
- LTW white acrylic top lens
- Field cuttable ball swivel stem
- Canopy finished to match frame
- Mounts to standard J-box
- Suitable for damp locations

weight: 12 lbs  
 US LISTED  
 MADE IN USA



<b>P62303</b>						
<b>STEM</b>	<b>FINISH</b>	<b>DIFFUSER</b>	<b>LAMPING</b>	<b>VOLTAGE</b>		
Specify 1" increments 3" - 60"	F2 Chrome F3 Black F4 Earth F5 Copper F6 Brass F7 Bronze F8 Steel F10 Hammered Copper F11 White	Select from any of our <b>LUMENATE®</b> Diffuser options.	L412 - LED 4280 Initial Lumens 42 W 3000K Dimming: 0-10V 1% UNV or 120V Phase L413 - LED 6420 Initial Lumens 63 W 3000K Dimming: 0-10V 1% UNV or 120V Phase <i>Please contact customer service for component specifications including additional color temperatures.</i> Lamps not included: CFL 4/32W TBX-GX24Q-3 INC 3/Med. Base	120V 277V 347V CFL Only		

## + OPTIONS

### SUSPENSION OPTIONS

**STM** - Additional Stem Length  
Specify length & color

**CXX** - Cord with three Suspension Cables  
(Silver braided cord is not available with LED)

**A200** - Wall Mount Arc 34"

### CANOPY OPTIONS

**CAC** - Canopy Alternative Color  
**CR432** - Cluster Canopy\* 4.5" x 42"  
**CR860** - Cluster Canopy\* 8" x 60"  
\* Specify arrangement and heights.

### LENS OPTIONS

**LTC3** - Top Lens Clear Acrylic  
**LTY3** - Top Lens Metal Perf.  
**LTO3** - Top Lens Opaque

**LBY3** - Bottom Lens Metal Perf.  
**LBA3** - Applied LUMENATE® Bottom Lens

### LED OPTIONS

**EMR** - Remote Emergency Battery Backup  
Requires Stem or 2 Power Cords

### CFL BALLAST OPTIONS

**BDLI** - Dimming Ballast Lutron Internal  
**BDAI** - Dimming Ballast Advance Internal  
**BEI** - Emergency Ballast Internal

Project Name	Specifier Name & Location	Quantity
<input type="text"/>	<input type="text"/>	<input type="text"/>



Notes

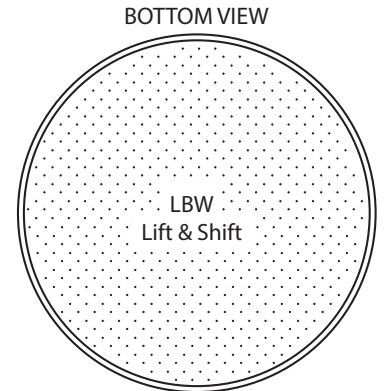
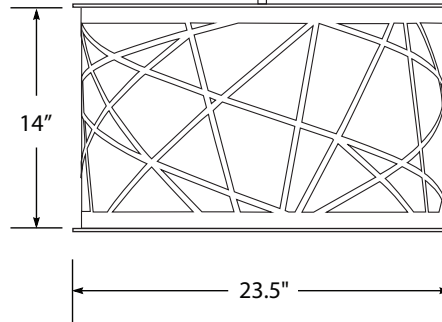
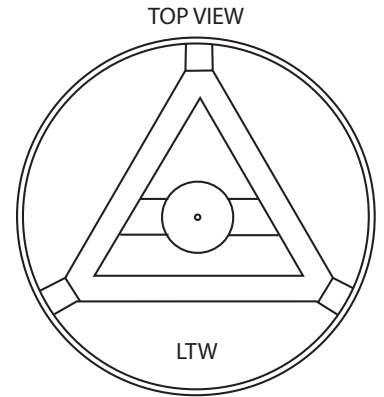
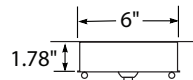
Lumetta Inc., 33 Minnesota Ave., Warwick, RI 02888 t 401-691-3994 f 401-921-1310 [www.lumetta.com](http://www.lumetta.com)

This design is the intellectual property of Lumetta, Inc. All rights reserved. Specifications are subject to change without notice.



# Xina 23" Pendant P62304

Design modifications are always welcome.



- Welded steel / aluminum
  - LUMENATE® washable diffuser
  - LBW etched white acrylic bottom lens
  - LTW white acrylic top lens
  - Field cuttable ball swivel stem
  - Canopy finished to match frame
  - Mounts to standard J-box
  - Suitable for damp locations
- weight: 12 lbs  
 C US LISTED  
 MADE IN USA

<b>P62304</b>						
<b>STEM</b>	<b>FINISH</b>	<b>DIFFUSER</b>	<b>LAMPING</b>	<b>VOLTAGE</b>		
Specify 1" increments 3" - 60"	F2 Chrome F3 Black F4 Earth F5 Copper F6 Brass F7 Bronze F8 Steel F10 Hammered Copper F11 White	Select from any of our <b>LUMENATE®</b> Diffuser options.	L412 - LED 4280 Initial Lumens 42 W 3000K Dimming: 0-10V 1% UNV or 120V Phase L413 - LED 6420 Initial Lumens 63 W 3000K Dimming: 0-10V 1% UNV or 120V Phase <i>Please contact customer service for component specifications including additional color temperatures.</i> Lamps not included: CFL 4/32W TBX-GX24Q-3 INC 3/Med. Base	120V 277V 347V CFL Only		

## + OPTIONS

### SUSPENSION OPTIONS

**STM** - Additional Stem Length  
Specify length & color

**CXX** - Cord with three Suspension Cables  
(Silver braided cord is not available with LED)

**A200** - Wall Mount Arc 34"

### CANOPY OPTIONS

**CAC** - Canopy Alternative Color  
**CR432** - Cluster Canopy\* 4.5" x 42"  
**CR860** - Cluster Canopy\* 8" x 60"  
\* Specify arrangement and heights.

### LENS OPTIONS

**LTC3** - Top Lens Clear Acrylic  
**LTY3** - Top Lens Metal Perf.  
**LTO3** - Top Lens Opaque

**LBY3** - Bottom Lens Metal Perf.  
**LBA3** - Applied LUMENATE® Bottom Lens

### LED OPTIONS

**EMR** - Remote Emergency Battery Backup  
Requires Stem or 2 Power Cords

### CFL BALLAST OPTIONS

**BDLI** - Dimming Ballast Lutron Internal  
**BDAI** - Dimming Ballast Advance Internal  
**BEI** - Emergency Ballast Internal

Project Name	Specifier Name & Location	Quantity
<input type="text"/>	<input type="text"/>	<input type="text"/>



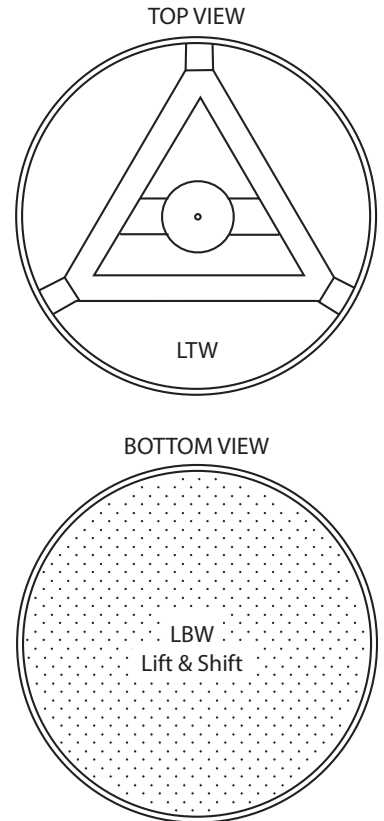
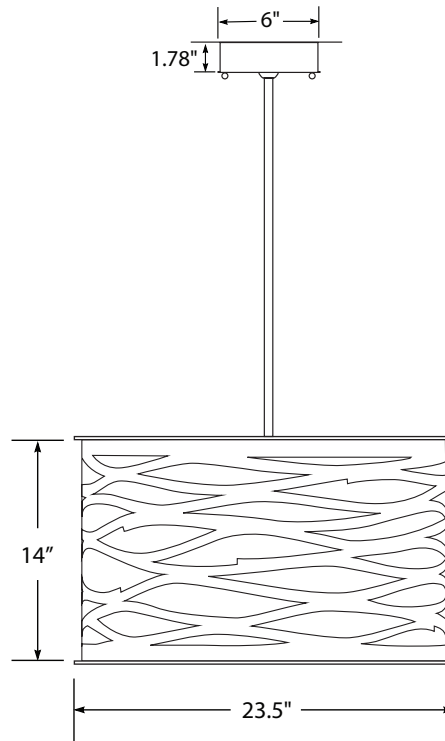
Notes

Lumetta Inc., 33 Minnesota Ave., Warwick, RI 02888 t 401-691-3994 f 401-921-1310 [www.lumetta.com](http://www.lumetta.com)

This design is the intellectual property of Lumetta, Inc. All rights reserved. Specifications are subject to change without notice.

# Traverse 23" Pendant P62305

Design modifications are always welcome.



- Welded steel / aluminum
- LUMENATE® washable diffuser
- LBW etched white acrylic bottom lens
- LTW white acrylic top lens
- Field cuttable ball swivel stem
- Canopy finished to match frame
- Mounts to standard J-box
- Suitable for damp locations

weight: 12 lbs  
 US LISTED  
 MADE IN USA

P62305						
<b>STEM</b>	<b>FINISH</b>	<b>DIFFUSER</b>	<b>LAMPING</b>	<b>VOLTAGE</b>		
Specify 1" increments 3" - 60"	F2 Chrome F3 Black F4 Earth F5 Copper F6 Brass F7 Bronze F8 Steel F10 Hammered Copper F11 White	Select from any of our <b>LUMENATE®</b> Diffuser options.	L412 - LED 4280 Initial Lumens 42 W 3000K Dimming: 0-10V 1% UNV or 120V Phase L413 - LED 6420 Initial Lumens 63 W 3000K Dimming: 0-10V 1% UNV or 120V Phase <i>Please contact customer service for component specifications including additional color temperatures.</i> Lamps not included: CFL 4/32W TBX-GX24Q-3 INC 3/Med. Base	120V 277V 347V CFL Only		

## + OPTIONS

### SUSPENSION OPTIONS

**STM** - Additional Stem Length  
Specify length & color

**CXX** - Cord with three Suspension Cables  
(Silver braided cord is not available with LED)

**A200** - Wall Mount Arc 34"

### CANOPY OPTIONS

**CAC** - Canopy Alternative Color  
**CR432** - Cluster Canopy\* 4.5" x 42"  
**CR860** - Cluster Canopy\* 8" x 60"  
 \* Specify arrangement and heights.

### LENS OPTIONS

**LTC3** - Top Lens Clear Acrylic  
**LTY3** - Top Lens Metal Perf.  
**LTO3** - Top Lens Opaque

**LBY3** - Bottom Lens Metal Perf.  
**LBA3** - Applied LUMENATE® Bottom Lens

### LED OPTIONS

**EMR** - Remote Emergency Battery Backup  
Requires Stem or 2 Power Cords

### CFL BALLAST OPTIONS

**BDLI** - Dimming Ballast Lutron Internal  
**BDAI** - Dimming Ballast Advance Internal  
**BEI** - Emergency Ballast Internal

Project Name	Specifier Name & Location	Quantity
<input type="text"/>	<input type="text"/>	<input type="text"/>



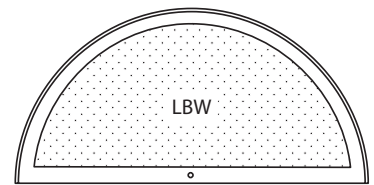
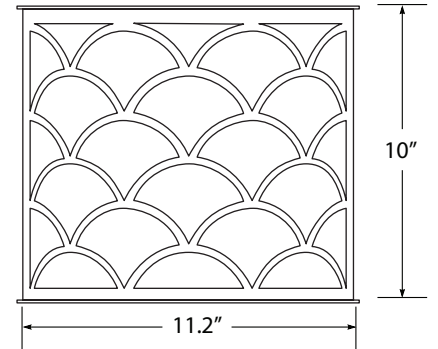
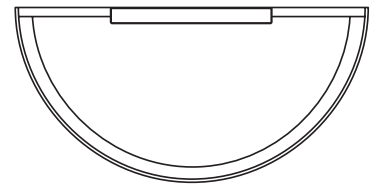
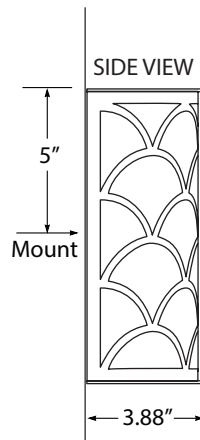
Notes

Lumetta Inc., 33 Minnesota Ave., Warwick, RI 02888 t 401-691-3994 f 401-921-1310 [www.lumetta.com](http://www.lumetta.com)

This design is the intellectual property of Lumetta, Inc. All rights reserved. Specifications are subject to change without notice.

# Scallop 10" Sconce W61001

Design modifications are always welcome.



- Welded steel
- LBW etched white acrylic bottom lens
- LUMENATE® washable diffuser
- Mounts to standard J-box
- Suitable for damp locations

weight: 2 lbs



MADE IN USA

<b>W61001</b>				
	<b>FINISH</b>	<b>DIFFUSER</b>	<b>LAMPING</b>	
	F2 Chrome F3 Black F4 Earth F5 Copper F6 Brass F7 Bronze F8 Steel F10 Hammered Copper F11 White	Select from any of our <b>LUMENATE®</b> Diffuser options.	L401 - LED 1070 Initial Lumens 8.4 W 3000K Dimming: 0-10V 1% UNV or 120V Phase <i>Please contact customer service for component specifications including additional color temperatures.</i>	

## + OPTIONS

### LENS OPTIONS

- LTWW2** - Top Lens White Acrylic
- LTWC2** - Top Lens Clear Acrylic
- LTWY2** - Top Lens Metal Perf.
- LTWO2** - Top Lens Opaque

- LBWY2** - Bottom Lens Metal Perf.
- LBWA2** - Applied LUMENATE® Bottom Lens

### LED OPTIONS

- EMR** - Remote Emergency Battery Backup

Project Name	Specifier Name & Location	Quantity
<input type="text"/>	<input type="text"/>	<input type="text"/>

Notes

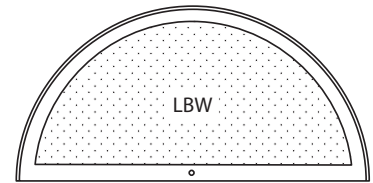
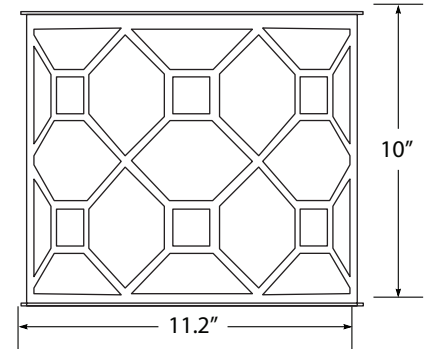
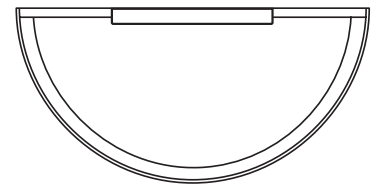
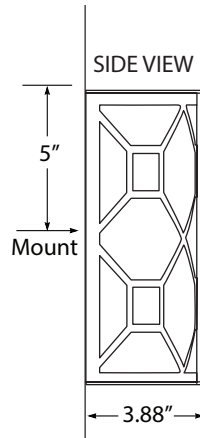


Lumetta Inc., 33 Minnesota Ave., Warwick, RI 02888 t 401-691-3994 f 401-921-1310 [www.lumetta.com](http://www.lumetta.com)

This design is the intellectual property of Lumetta, Inc. All rights reserved. Specifications are subject to change without notice.

# Imperial 10" Sconce W61002

Design modifications are always welcome.



- Welded steel
- LBW etched white acrylic bottom lens
- LUMENATE® washable diffuser
- Mounts to standard J-box
- Suitable for damp locations

weight: 2 lbs



MADE IN USA

<b>W61002</b>				
	<b>FINISH</b>	<b>DIFFUSER</b>	<b>LAMPING</b>	
	F2 Chrome F3 Black F4 Earth F5 Copper F6 Brass F7 Bronze F8 Steel F10 Hammered Copper F11 White	Select from any of our <b>LUMENATE®</b> Diffuser options.	L401 - LED 1070 Initial Lumens 8.4 W 3000K Dimming: 0-10V 1% UNV or 120V Phase <i>Please contact customer service for component specifications including additional color temperatures.</i>	

## + OPTIONS

### LENS OPTIONS

- LTWW2** - Top Lens White Acrylic
- LTWC2** - Top Lens Clear Acrylic
- LTWY2** - Top Lens Metal Perf.
- LTWO2** - Top Lens Opaque

- LBWY2** - Bottom Lens Metal Perf.
- LBWA2** - Applied LUMENATE® Bottom Lens

### LED OPTIONS

- EMR** - Remote Emergency Battery Backup

Project Name	Specifier Name & Location	Quantity
<input type="text"/>	<input type="text"/>	<input type="text"/>

Notes

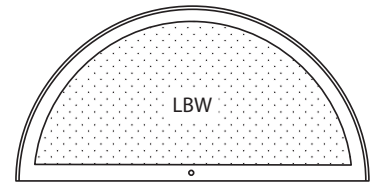
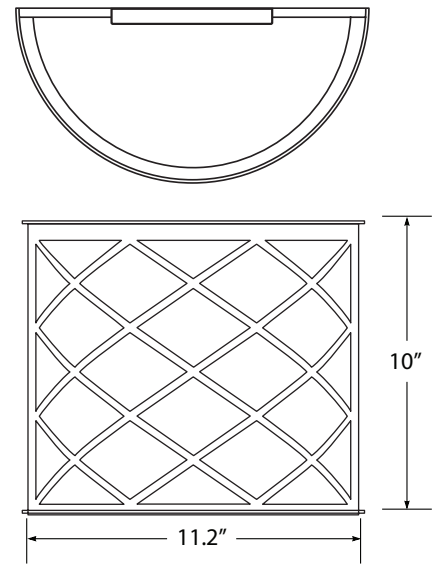
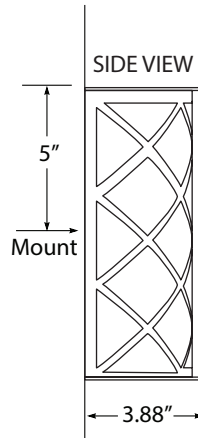


Lumetta Inc., 33 Minnesota Ave., Warwick, RI 02888 t 401-691-3994 f 401-921-1310 [www.lumetta.com](http://www.lumetta.com)

This design is the intellectual property of Lumetta, Inc. All rights reserved. Specifications are subject to change without notice.

# Diamond 10" Sconce W61003

Design modifications are always welcome.



- Welded steel
- LBW etched white acrylic bottom lens
- LUMENATE® washable diffuser
- Mounts to standard J-box
- Suitable for damp locations

weight: 2 lbs



MADE IN USA

<b>W61003</b>				
	<b>FINISH</b>	<b>DIFFUSER</b>	<b>LAMPING</b>	
	F2 Chrome F3 Black F4 Earth F5 Copper F6 Brass F7 Bronze F8 Steel F10 Hammered Copper F11 White	Select from any of our <b>LUMENATE®</b> Diffuser options.	L401 - LED 1070 Initial Lumens 8.4 W 3000K Dimming: 0-10V 1% UNV or 120V Phase  <i>Please contact customer service for component specifications including additional color temperatures.</i>	

## + OPTIONS

### LENS OPTIONS

- LTWW2** - Top Lens White Acrylic
- LTWC2** - Top Lens Clear Acrylic
- LTWY2** - Top Lens Metal Perf.
- LTWO2** - Top Lens Opaque

- LBWY2** - Bottom Lens Metal Perf.
- LBWA2** - Applied LUMENATE® Bottom Lens

### LED OPTIONS

- EMR** - Remote Emergency Battery Backup

Project Name	Specifier Name & Location	Quantity
<input type="text"/>	<input type="text"/>	<input type="text"/>

Notes

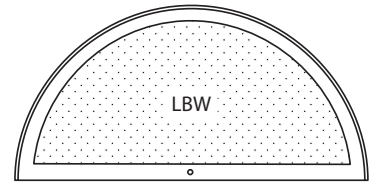
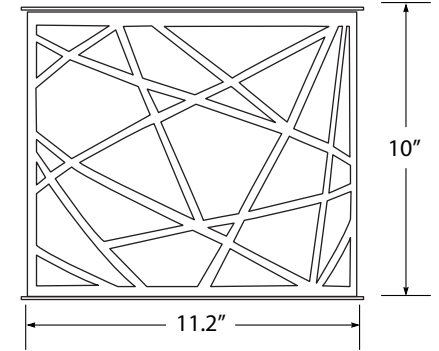
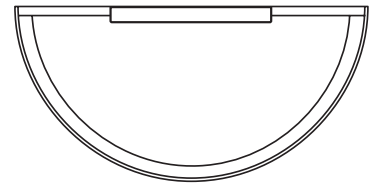
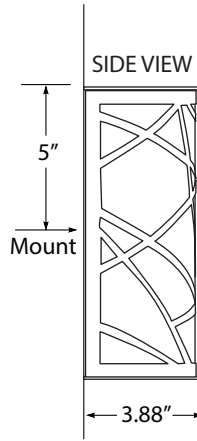


Lumetta Inc., 33 Minnesota Ave., Warwick, RI 02888 t 401-691-3994 f 401-921-1310 [www.lumetta.com](http://www.lumetta.com)

This design is the intellectual property of Lumetta, Inc. All rights reserved. Specifications are subject to change without notice.

# Xina 10" Sconce W61004

Design modifications are always welcome.



- Welded steel
- LBW etched white acrylic bottom lens
- LUMENATE® washable diffuser
- Mounts to standard J-box
- Suitable for damp locations

weight: 2 lbs



MADE IN USA

<b>W61004</b>				
	<b>FINISH</b>	<b>DIFFUSER</b>	<b>LAMPING</b>	
	F2 Chrome F3 Black F4 Earth F5 Copper F6 Brass F7 Bronze F8 Steel F10 Hammered Copper F11 White	Select from any of our <b>LUMENATE®</b> Diffuser options.	L401 - LED 1070 Initial Lumens 8.4 W 3000K Dimming: 0-10V 1% UNV or 120V Phase  <i>Please contact customer service for component specifications including additional color temperatures.</i>	

## + OPTIONS

### LENS OPTIONS

- LTWW2** - Top Lens White Acrylic
- LTWC2** - Top Lens Clear Acrylic
- LTWY2** - Top Lens Metal Perf.
- LTWO2** - Top Lens Opaque

- LBWY2** - Bottom Lens Metal Perf.
- LBWA2** - Applied LUMENATE® Bottom Lens

### LED OPTIONS

- EMR** - Remote Emergency Battery Backup

Project Name	Specifier Name & Location	Quantity
<input type="text"/>	<input type="text"/>	<input type="text"/>



Notes

# Traverse 10" Sconce W61005

Design modifications are always welcome.

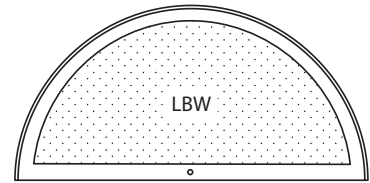
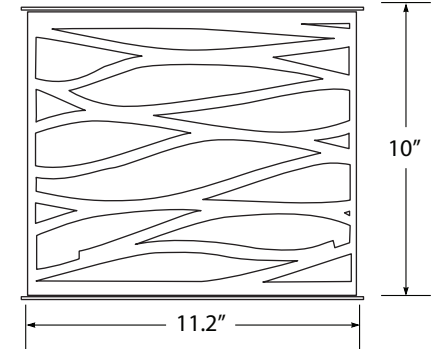
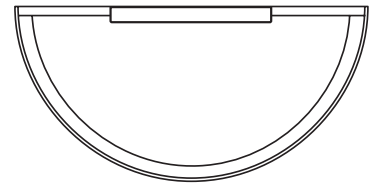
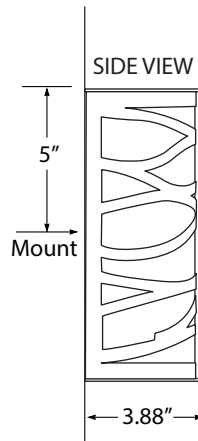


- Welded steel
- LBW etched white acrylic bottom lens
- LUMENATE® washable diffuser
- Mounts to standard J-box
- Suitable for damp locations

weight: 2 lbs



MADE IN USA



W61005 -  -  -  -

**FINISH**

- F2 Chrome
- F3 Black
- F4 Earth
- F5 Copper
- F6 Brass
- F7 Bronze
- F8 Steel
- F10 Hammered Copper
- F11 White

**DIFFUSER**

Select from any of our **LUMENATE®** Diffuser options.

**LAMPING**

L401 - LED 1070 Initial Lumens 8.4 W  
3000K Dimming: 0-10V 1% UNV or 120V Phase

*Please contact customer service for component specifications including additional color temperatures.*

## + OPTIONS

### LENS OPTIONS

- LTWW2** - Top Lens White Acrylic
- LTWC2** - Top Lens Clear Acrylic
- LTWY2** - Top Lens Metal Perf.
- LTWO2** - Top Lens Opaque

- LBWY2** - Bottom Lens Metal Perf.
- LBWA2** - Applied LUMENATE® Bottom Lens

### LED OPTIONS

- EMR** - Remote Emergency Battery Backup

Project Name  Specifier Name & Location  Quantity

Notes

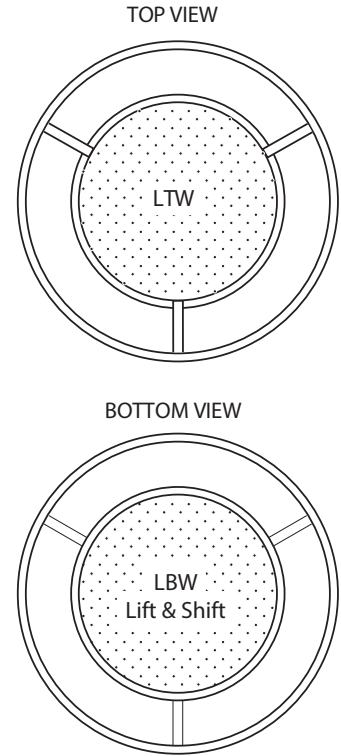
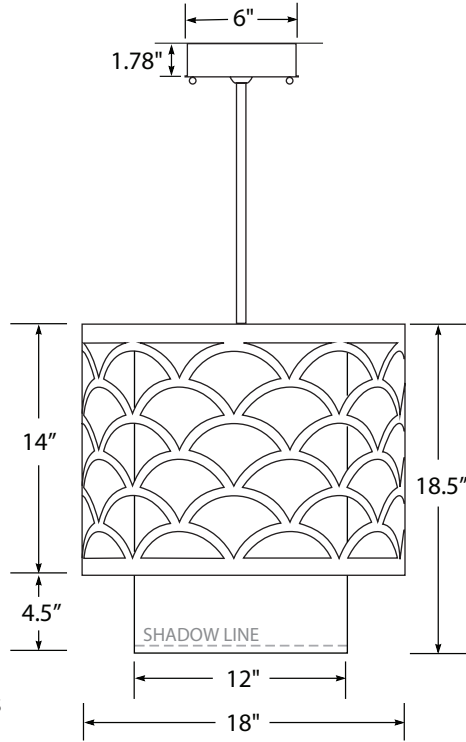


Lumetta Inc., 33 Minnesota Ave., Warwick, RI 02888 t 401-691-3994 f 401-921-1310 [www.lumetta.com](http://www.lumetta.com)

This design is the intellectual property of Lumetta, Inc. All rights reserved. Specifications are subject to change without notice.

# Scallop SL 18" Pendant P61801SL

Design modifications are always welcome.



- Welded steel / aluminum
- LUMENATE® washable diffuser
- LBW etched white acrylic bottom lens
- LTW white acrylic top lens
- Field cuttable ball swivel stem
- Canopy finished to match frame
- Mounts to standard J-box
- Suitable for damp locations

weight: 12 lbs  
 US LISTED  
 MADE IN USA

<b>P61801SL</b>						
<b>STEM</b>	<b>FINISH</b>	<b>DIFFUSER</b>	<b>LAMPING</b>		<b>VOLTAGE</b>	
Specify 1" increments 3" - 60"	F2 Chrome F3 Black F4 Earth F5 Copper F6 Brass F7 Bronze F8 Steel F10 Hammered Copper F11 White	Select from any of our <b>LUMENATE®</b> Diffuser options.	L411 - LED 1491 Delivered Lumens 21W 3000K Dimming: 0-10V 1% UNV or 120V Phase  Please contact customer service for component specifications including additional color temperatures.  Lamps not included: CFL 1/26W DBX-G24Q-3 INC 1/ Med. Base		120V 277V 347V CFL Only	

## + OPTIONS

### SUSPENSION OPTIONS

**STM** - Additional Stem Length  
Specify length & color

**CXX** - Cord with three Suspension Cables  
(Silver braided cord is not available with LED)

**A200** - Wall Mount Arc 34"

### CANOPY OPTIONS

**CAC** - Canopy Alternative Color  
**CR432** - Cluster Canopy\* 4.5" x 42"  
**CR860** - Cluster Canopy\* 8" x 60"

\* Specify arrangement and heights.

### LENS OPTIONS

**LTC2** - Top Lens Clear Acrylic  
**LTY2** - Top Lens Metal Perf.  
**LTO2** - Top Lens Opaque

**LBY2** - Bottom Lens Metal Perf.  
**LBA2** - Applied LUMENATE® Bottom Lens

### LED OPTIONS

**EMR** - Remote Emergency Battery Backup  
Requires Stem or 2 Power Cords

### CFL BALLAST OPTIONS

**BDLI** - Dimming Ballast Lutron Internal  
**BDAI** - Dimming Ballast Advance Internal  
**BER** - Emergency Ballast Remote

Project Name	Specifier Name & Location	Quantity
<input type="text"/>	<input type="text"/>	<input type="text"/>



Notes

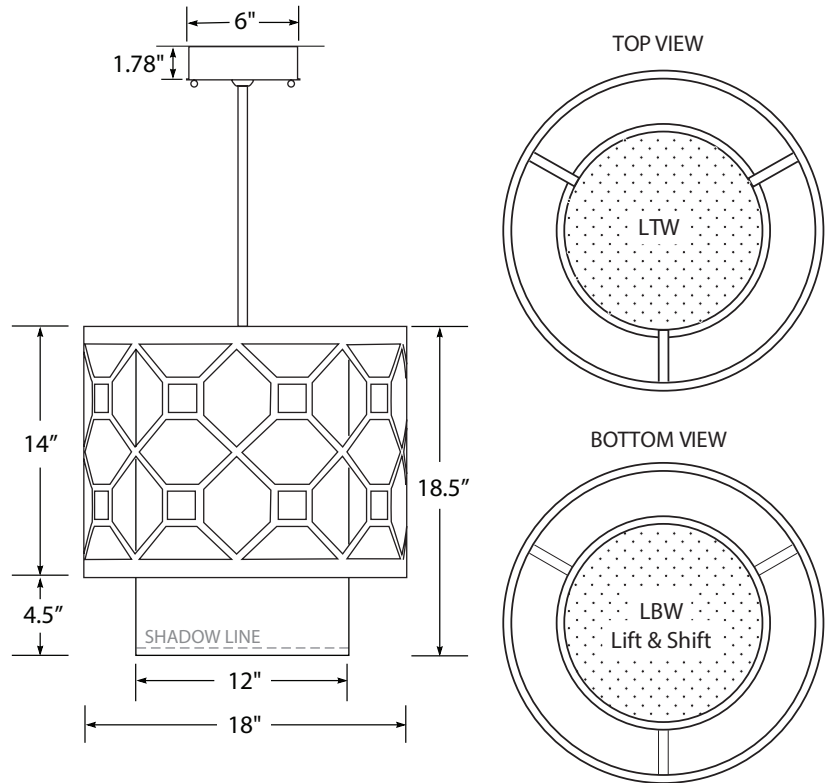
Lumetta Inc., 33 Minnesota Ave., Warwick, RI 02888 t 401-691-3994 f 401-921-1310 [www.lumetta.com](http://www.lumetta.com)

This design is the intellectual property of Lumetta, Inc. All rights reserved. Specifications are subject to change without notice.



# Imperial SL 18" Pendant P61802SL

Design modifications are always welcome.



- Welded steel / aluminum
- LUMENATE® washable diffuser
- LBW etched white acrylic bottom lens
- LTW white acrylic top lens
- Field cuttable ball swivel stem
- Canopy finished to match frame
- Mounts to standard J-box
- Suitable for damp locations

weight: 12 lbs  
 US LISTED  
 MADE IN USA

P61802SL						
<b>STEM</b>	<b>FINISH</b>	<b>DIFFUSER</b>	<b>LAMPING</b>		<b>VOLTAGE</b>	
Specify 1" increments 3" - 60"	F2 Chrome F3 Black F4 Earth F5 Copper F6 Brass F7 Bronze F8 Steel F10 Hammered Copper F11 White	Select from any of our <b>LUMENATE®</b> Diffuser options.	L411 - LED 1491 Delivered Lumens 21W 3000K Dimming: 0-10V 1% UNV or 120V Phase  Please contact customer service for component specifications including additional color temperatures.  Lamps not included: CFL 1/26W DBX-G24Q-3 INC 1/ Med. Base		120V 277V 347V CFL Only	

## + OPTIONS

### SUSPENSION OPTIONS

**STM** - Additional Stem Length  
Specify length & color

**CXX** - Cord with three Suspension Cables  
(Silver braided cord is not available with LED)

**A200** - Wall Mount Arc 34"

### CANOPY OPTIONS

**CAC** - Canopy Alternative Color  
**CR432** - Cluster Canopy\* 4.5" x 42"  
**CR860** - Cluster Canopy\* 8" x 60"

\* Specify arrangement and heights.

### LENS OPTIONS

**LTC2** - Top Lens Clear Acrylic  
**LTY2** - Top Lens Metal Perf.  
**LTO2** - Top Lens Opaque

**LBY2** - Bottom Lens Metal Perf.  
**LBA2** - Applied LUMENATE® Bottom Lens

### LED OPTIONS

**EMR** - Remote Emergency Battery Backup  
Requires Stem or 2 Power Cords

### CFL BALLAST OPTIONS

**BDLI** - Dimming Ballast Lutron Internal  
**BDAI** - Dimming Ballast Advance Internal  
**BER** - Emergency Ballast Remote

Project Name	Specifier Name & Location	Quantity
<input type="text"/>	<input type="text"/>	<input type="text"/>



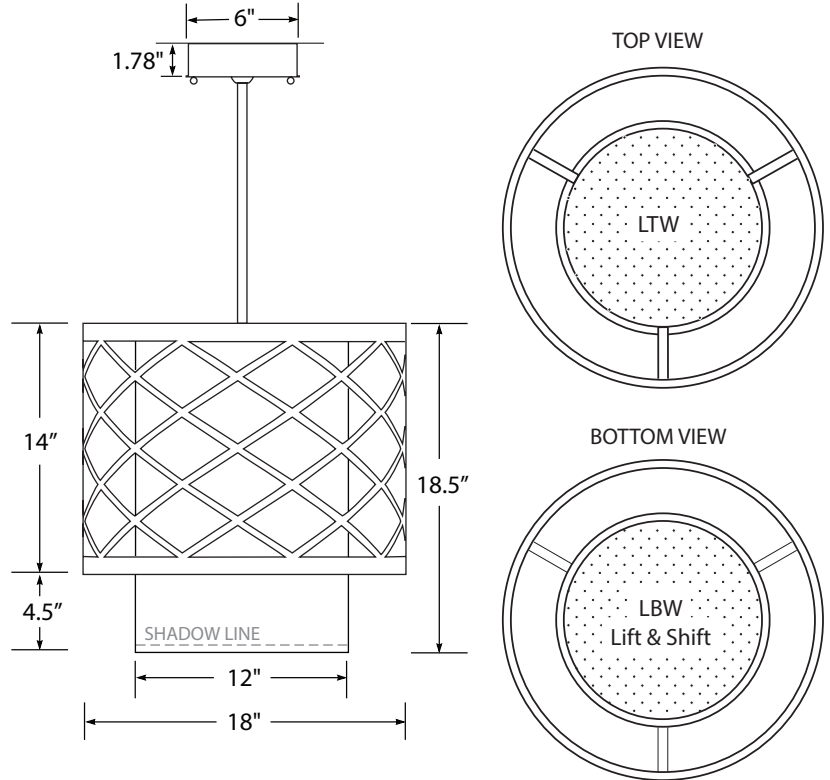
Notes

Lumetta Inc., 33 Minnesota Ave., Warwick, RI 02888 t 401-691-3994 f 401-921-1310 [www.lumetta.com](http://www.lumetta.com)

This design is the intellectual property of Lumetta, Inc. All rights reserved. Specifications are subject to change without notice.

# Diamond SL 18" Pendant P61803SL

Design modifications are always welcome.



- Welded steel / aluminum
- LUMENATE® washable diffuser
- LBW etched white acrylic bottom lens
- LTW white acrylic top lens
- Field cuttable ball swivel stem
- Canopy finished to match frame
- Mounts to standard J-box
- Suitable for damp locations

weight: 12 lbs  
 UL US LISTED  
 MADE IN USA

**P61803SL** - [ ] - [ ] - [ ] - [ ] - [ ] - [ ]

<p><b>STEM</b></p> <p>Specify 1" increments 3" - 60"</p>	<p><b>FINISH</b></p> <p>F2 Chrome F3 Black F4 Earth F5 Copper F6 Brass F7 Bronze F8 Steel F10 Hammered Copper F11 White</p>	<p><b>DIFFUSER</b></p> <p>Select from any of our <b>LUMENATE®</b> Diffuser options.</p>	<p><b>LAMPING</b></p> <p>L411 - LED 1491 Delivered Lumens 21W 3000K Dimming: 0-10V 1% UNV or 120V Phase</p> <p><i>Please contact customer service for component specifications including additional color temperatures.</i></p> <p><i>Lamps not included:</i> CFL 1/26W DBX-G24Q-3 INC 1/ Med. Base</p>	<p><b>VOLTAGE</b></p> <p>120V 277V 347V CFL Only</p>
--	---	---	---	--

## + OPTIONS

### SUSPENSION OPTIONS

**STM** - Additional Stem Length  
Specify length & color

**CXX** - Cord with three Suspension Cables  
(Silver braided cord is not available with LED)

**A200** - Wall Mount Arc 34"

### CANOPY OPTIONS

**CAC** - Canopy Alternative Color  
**CR432** - Cluster Canopy\* 4.5" x 42"  
**CR860** - Cluster Canopy\* 8" x 60"  
 \* Specify arrangement and heights.

### LENS OPTIONS

**LTC2** - Top Lens Clear Acrylic  
**LTY2** - Top Lens Metal Perf.  
**LTO2** - Top Lens Opaque

**LBY2** - Bottom Lens Metal Perf.  
**LBA2** - Applied LUMENATE® Bottom Lens

### LED OPTIONS

**EMR** - Remote Emergency Battery Backup  
Requires Stem or 2 Power Cords

### CFL BALLAST OPTIONS

**BDLI** - Dimming Ballast Lutron Internal  
**BDAI** - Dimming Ballast Advance Internal  
**BER** - Emergency Ballast Remote

Project Name  Specifier Name & Location  Quantity



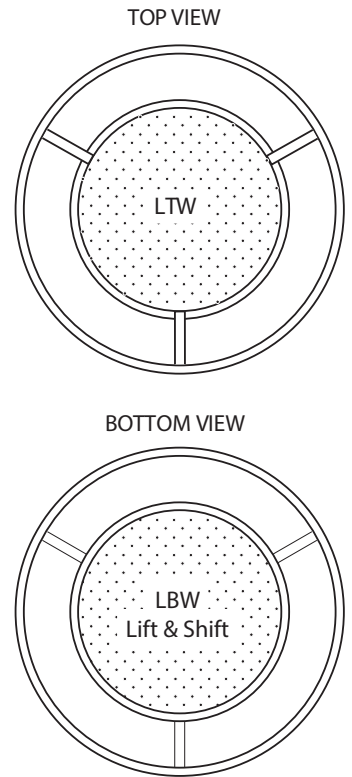
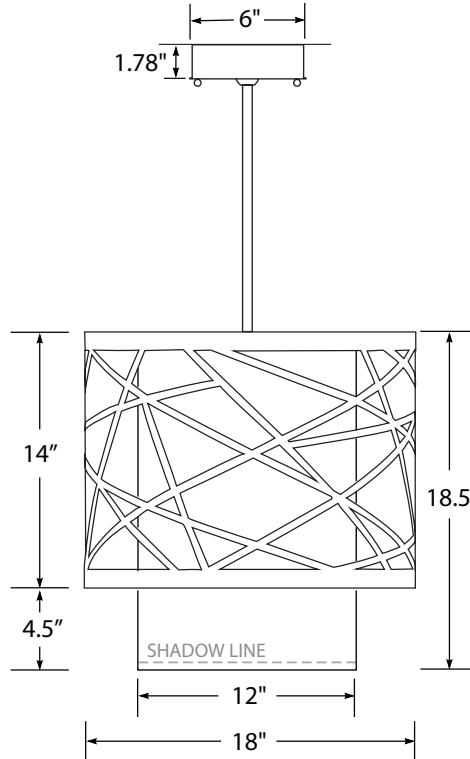
Notes

Lumetta Inc., 33 Minnesota Ave., Warwick, RI 02888 t 401-691-3994 f 401-921-1310 [www.lumetta.com](http://www.lumetta.com)

This design is the intellectual property of Lumetta, Inc. All rights reserved. Specifications are subject to change without notice.

# Xina SL 18" Pendant P61804SL

Design modifications are always welcome.



- Welded steel / aluminum
- LUMENATE® washable diffuser
- LBW etched white acrylic bottom lens
- LTW white acrylic top lens
- Field cuttable ball swivel stem
- Canopy finished to match frame
- Mounts to standard J-box
- Suitable for damp locations

weight: 12 lbs  
 US LISTED  
 MADE IN USA

**P61804SL** -  -  -  -  -  -  -

<p><b>STEM</b></p> <p>Specify 1" increments 3" - 60"</p>	<p><b>FINISH</b></p> <p>F2 Chrome F3 Black F4 Earth F5 Copper F6 Brass F7 Bronze F8 Steel F10 Hammered Copper F11 White</p>	<p><b>DIFFUSER</b></p> <p>Select from any of our <b>LUMENATE®</b> Diffuser options.</p>	<p><b>LAMPING</b></p> <p>L411 - LED 1491 Delivered Lumens 21W 3000K Dimming: 0-10V 1% UNV or 120V Phase</p> <p><i>Please contact customer service for component specifications including additional color temperatures.</i></p> <p><i>Lamps not included:</i> CFL 1/26W DBX-G24Q-3 INC 1/ Med. Base</p>	<p><b>VOLTAGE</b></p> <p>120V 277V 347V CFL Only</p>
--	---	---	---	--

## + OPTIONS

### SUSPENSION OPTIONS

**STM** - Additional Stem Length  
Specify length & color

**CXX** - Cord with three Suspension Cables  
*(Silver braided cord is not available with LED)*

**A200** - Wall Mount Arc 34"

### CANOPY OPTIONS

**CAC** - Canopy Alternative Color  
**CR432** - Cluster Canopy\* 4.5" x 42"  
**CR860** - Cluster Canopy\* 8" x 60"  
*\* Specify arrangement and heights.*

### LENS OPTIONS

**LTC2** - Top Lens Clear Acrylic  
**LTY2** - Top Lens Metal Perf.  
**LTO2** - Top Lens Opaque  
**LBY2** - Bottom Lens Metal Perf.  
**LBA2** - Applied LUMENATE® Bottom Lens

### LED OPTIONS

**EMR** - Remote Emergency Battery Backup  
*Requires Stem or 2 Power Cords*

### CFL BALLAST OPTIONS

**BDLI** - Dimming Ballast Lutron Internal  
**BDAI** - Dimming Ballast Advance Internal  
**BER** - Emergency Ballast Remote

Project Name	Specifier Name & Location	Quantity
<input type="text"/>	<input type="text"/>	<input type="text"/>



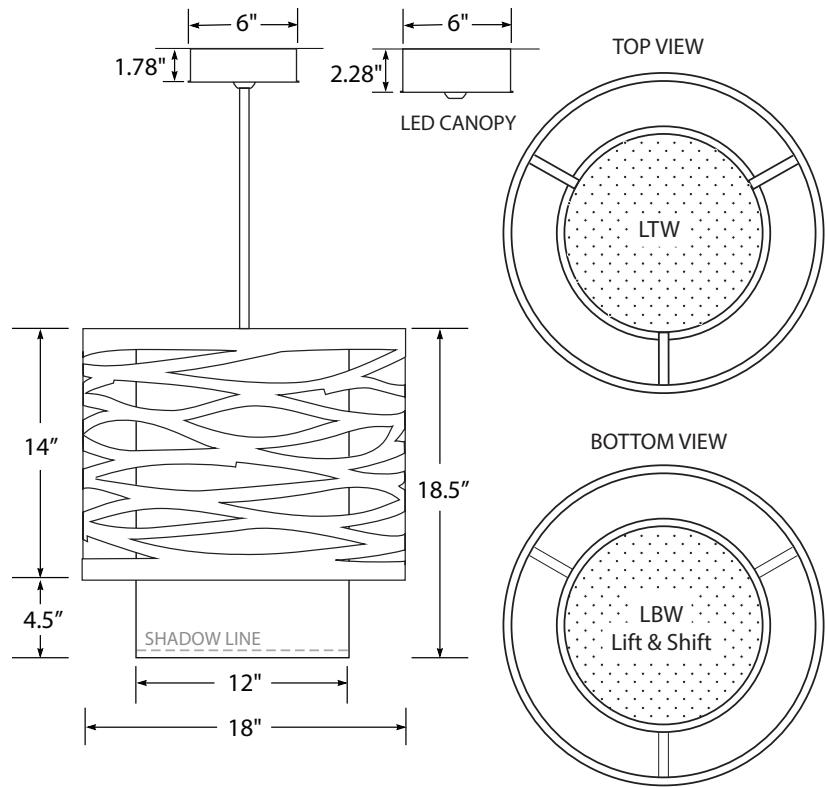
Notes

Lumetta Inc., 33 Minnesota Ave., Warwick, RI 02888 t 401-691-3994 f 401-921-1310 [www.lumetta.com](http://www.lumetta.com)

This design is the intellectual property of Lumetta, Inc. All rights reserved. Specifications are subject to change without notice.

# Traverse SL 18" Pendant P61805SL

Design modifications are always welcome.



- Welded steel / aluminum
- LUMENATE® washable diffuser
- LBW etched white acrylic bottom lens
- LTW white acrylic top lens
- Field cuttable ball swivel stem
- Canopy finished to match frame
- Mounts to standard J-box
- Suitable for damp locations

weight: 13 lbs  
 UL US LISTED  
 MADE IN USA

**P61805SL** - [ ] - [ ] - [ ] - [ ] - [ ] - [ ]

<p><b>STEM</b></p> <p>Specify 1" increments 3" - 60"</p>	<p><b>FINISH</b></p> <p>F2 Chrome F3 Black F4 Earth F5 Copper F6 Brass F7 Bronze F8 Steel F10 Hammered Copper F11 White</p>	<p><b>DIFFUSER</b></p> <p>Select from any of our <b>LUMENATE®</b> Diffuser options.</p>	<p><b>LAMPING</b></p> <p>L411 - LED 1491 Delivered Lumens 21W 3000K Dimming: 0-10V 1% UNV or 120V Phase</p> <p><i>Please contact customer service for component specifications including additional color temperatures.</i></p> <p>Lamps not included: CFL 1/26W DBX-G24Q-3 INC 1/ Med. Base</p>	<p><b>VOLTAGE</b></p> <p>120V 277V 347V CFL Only</p>
--	---	---	--	--

## + OPTIONS

### SUSPENSION OPTIONS

- STM** - Additional Stem Length  
Specify length & color
- CXX** - Cord with three Suspension Cables  
(Silver braided cord is not available with LED)
- A200** - Wall Mount Arc 34"

### CANOPY OPTIONS

- CAC** - Canopy Alternative Color
  - CR432** - Cluster Canopy\* 4.5" x 42"
  - CR860** - Cluster Canopy\* 8" x 60"
- \* Specify arrangement and heights.

### LENS OPTIONS

- LTC2** - Top Lens Clear Acrylic
- LTY2** - Top Lens Metal Perf.
- LTO2** - Top Lens Opaque
- LBY2** - Bottom Lens Metal Perf.
- LBA2** - Applied LUMENATE® Bottom Lens

### LED OPTIONS

- EMR** - Remote Emergency Battery Backup  
Requires Stem or 2 Power Cords
- CFL BALLAST OPTIONS**
- BDLI** - Dimming Ballast Lutron Internal
- BDAI** - Dimming Ballast Advance Internal
- BER** - Emergency Ballast Remote

Project Name  Specifier Name & Location  Quantity



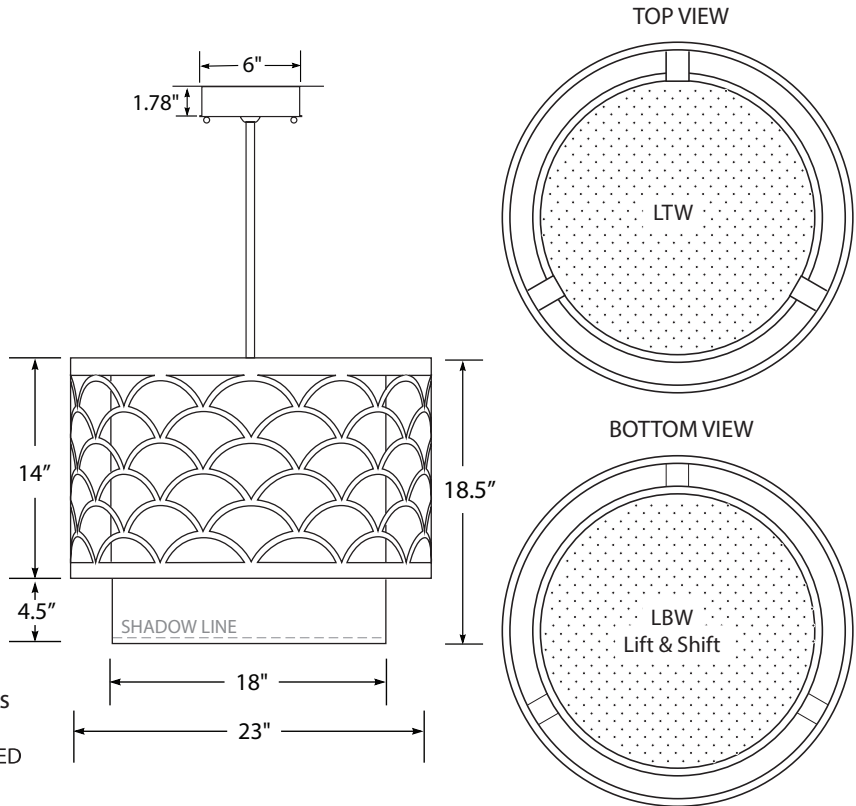
Notes

Lumetta Inc., 33 Minnesota Ave., Warwick, RI 02888 t 401-691-3994 f 401-921-1310 [www.lumetta.com](http://www.lumetta.com)

This design is the intellectual property of Lumetta, Inc. All rights reserved. Specifications are subject to change without notice.

# Scallop SL 23" Pendant P62301SL

Design modifications are always welcome.



- Welded steel / aluminum
- LUMENATE® washable diffuser
- LBW etched white acrylic bottom lens
- LTW white acrylic top lens
- Field cuttable ball swivel stem
- Canopy finished to match frame
- Mounts to standard J-box
- Suitable for damp locations

weight: 14 lbs  
 C US LISTED  
 MADE IN USA

**P62301SL** -  -  -  -  -  -  -

<p><b>STEM</b></p> <p>Specify 1" increments 3" - 60"</p>	<p><b>FINISH</b></p> <p>F2 Chrome F3 Black F4 Earth F5 Copper F6 Brass F7 Bronze F8 Steel F10 Hammered Copper F11 White</p>	<p><b>DIFFUSER</b></p> <p>Select from any of our <b>LUMENATE®</b> Diffuser options.</p>	<p><b>LAMPING</b></p> <p>L411 - LED 2140 Initial Lumens 21W 3000K Dimming: 0-10V 1% UNV or 120V Phase</p> <p><i>Please contact customer service for component specifications including additional color temperatures.</i></p> <p>Lamps not included: CFL 1/32W TBX-GX24Q-3 INC 1/Med. Base</p>	<p><b>VOLTAGE</b></p> <p>120V 277V 347V CFL Only</p>
--	---	---	--	--

## + OPTIONS

### SUSPENSION OPTIONS

**STM** - Additional Stem Length  
Specify length & color

**CXX** - Cord with three Suspension Cables  
(Silver braided cord is not available with LED)

**A200** - Wall Mount Arc 34"

### CANOPY OPTIONS

**CAC** - Canopy Alternative Color  
**CR432** - Cluster Canopy\* 4.5" x 42"  
**CR860** - Cluster Canopy\* 8" x 60"  
 \* Specify arrangement and heights.

### LENS OPTIONS

**LTC3** - Top Lens Clear Acrylic  
**LTY3** - Top Lens Metal Perf.  
**LTO3** - Top Lens Opaque  
**LBY3** - Bottom Lens Metal Perf.  
**LBA3** - Applied LUMENATE® Bottom Lens

### LED OPTIONS

**EMR** - Remote Emergency Battery Backup  
Requires Stem or 2 Power Cords

### CFL BALLAST OPTIONS

**BDLI** - Dimming Ballast Lutron Internal  
**BDAI** - Dimming Ballast Advance Internal  
**BER** - Emergency Ballast Remote

Project Name	Specifier Name & Location	Quantity
<input type="text"/>	<input type="text"/>	<input type="text"/>



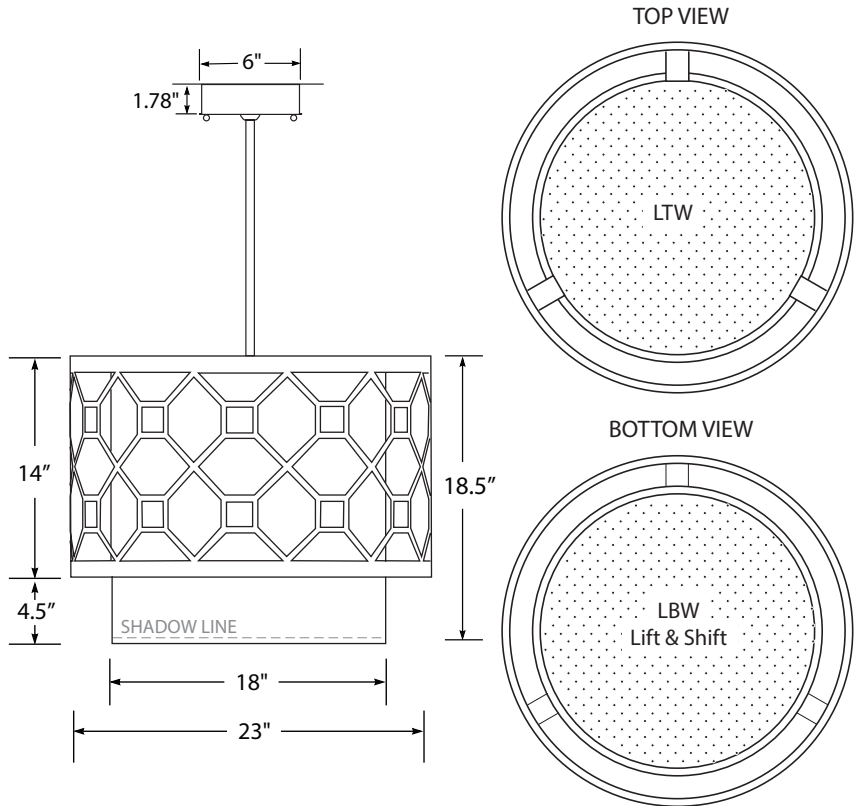
Notes

Lumetta Inc., 33 Minnesota Ave., Warwick, RI 02888 t 401-691-3994 f 401-921-1310 [www.lumetta.com](http://www.lumetta.com)

This design is the intellectual property of Lumetta, Inc. All rights reserved. Specifications are subject to change without notice.

# Imperial SL 23" Pendant P62302SL

Design modifications are always welcome.



- Welded steel / aluminum
- LUMENATE® washable diffuser
- LBW etched white acrylic bottom lens
- LTW white acrylic top lens
- Field cuttable ball swivel stem
- Canopy finished to match frame
- Mounts to standard J-box
- Suitable for damp locations

weight: 14 lbs  
 C US LISTED  
 MADE IN USA

P62302SL						
<b>STEM</b>	<b>FINISH</b>	<b>DIFFUSER</b>	<b>LAMPING</b>	<b>VOLTAGE</b>		
Specify 1" increments 3" - 60"	F2 Chrome F3 Black F4 Earth F5 Copper F6 Brass F7 Bronze F8 Steel F10 Hammered Copper F11 White	Select from any of our <b>LUMENATE®</b> Diffuser options.	L411 - LED 2140 Initial Lumens 21W 3000K Dimming: 0-10V 1% UNV or 120V Phase  Please contact customer service for component specifications including additional color temperatures.  Lamps not included: CFL 1/32W TBX-GX24Q-3 INC 1/Med. Base	120V 277V 347V CFL Only		

## + OPTIONS

### SUSPENSION OPTIONS

**STM** - Additional Stem Length  
Specify length & color

**CXX** - Cord with three Suspension Cables  
(Silver braided cord is not available with LED)

**A200** - Wall Mount Arc 34"

### CANOPY OPTIONS

**CAC** - Canopy Alternative Color  
**CR432** - Cluster Canopy\* 4.5" x 42"  
**CR860** - Cluster Canopy\* 8" x 60"  
 \* Specify arrangement and heights.

### LENS OPTIONS

**LTC3** - Top Lens Clear Acrylic  
**LTY3** - Top Lens Metal Perf.  
**LTO3** - Top Lens Opaque  
  
**LBY3** - Bottom Lens Metal Perf.  
**LBA3** - Applied LUMENATE® Bottom Lens

### LED OPTIONS

**EMR** - Remote Emergency Battery Backup  
Requires Stem or 2 Power Cords

### CFL BALLAST OPTIONS

**BDLI** - Dimming Ballast Lutron Internal  
**BDAI** - Dimming Ballast Advance Internal  
**BER** - Emergency Ballast Remote

Project Name	Specifier Name & Location	Quantity
<input type="text"/>	<input type="text"/>	<input type="text"/>



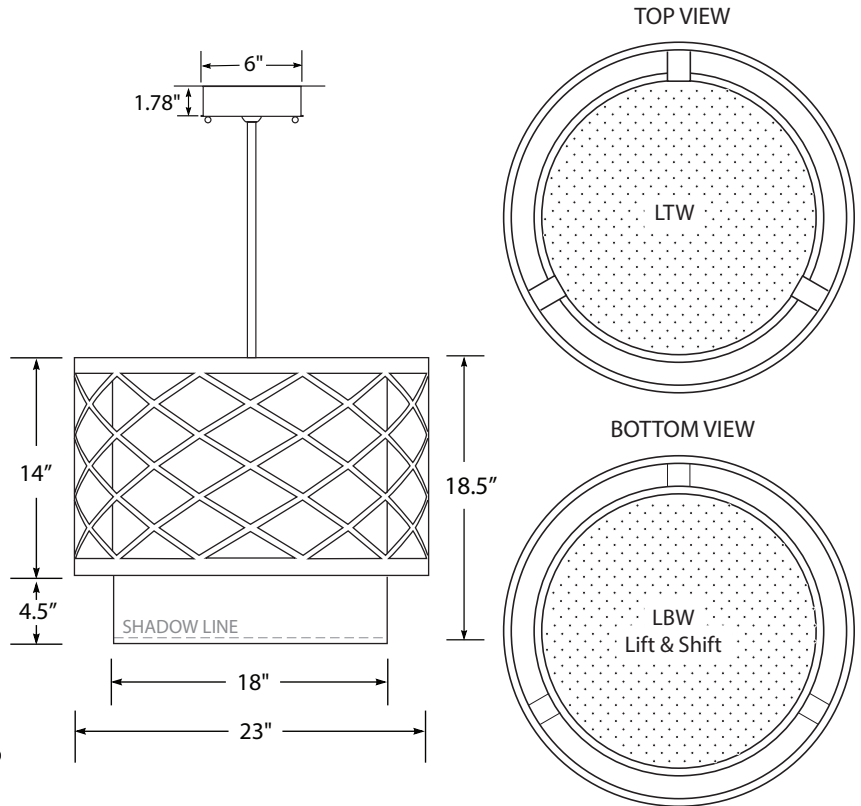
Notes

Lumetta Inc., 33 Minnesota Ave., Warwick, RI 02888 t 401-691-3994 f 401-921-1310 [www.lumetta.com](http://www.lumetta.com)

This design is the intellectual property of Lumetta, Inc. All rights reserved. Specifications are subject to change without notice.

# Diamond SL 23" Pendant P62303SL

Design modifications are always welcome.



- Welded steel / aluminum
- LUMENATE® washable diffuser
- LBW etched white acrylic bottom lens
- LTW white acrylic top lens
- Field cuttable ball swivel stem
- Canopy finished to match frame
- Mounts to standard J-box
- Suitable for damp locations

weight: 14 lbs  
 US LISTED  
 MADE IN USA

<b>P62303SL</b>						
<b>STEM</b>	<b>FINISH</b>	<b>DIFFUSER</b>	<b>LAMPING</b>		<b>VOLTAGE</b>	
Specify 1" increments 3" - 60"	F2 Chrome F3 Black F4 Earth F5 Copper F6 Brass F7 Bronze F8 Steel F10 Hammered Copper F11 White	Select from any of our <b>LUMENATE®</b> Diffuser options.	L411 - LED 2140 Initial Lumens 21W 3000K Dimming: 0-10V 1% UNV or 120V Phase  Please contact customer service for component specifications including additional color temperatures.  Lamps not included: CFL 1/32W TBX-GX24Q-3 INC 1/Med. Base		120V 277V 347V CFL Only	

## + OPTIONS

### SUSPENSION OPTIONS

**STM** - Additional Stem Length  
Specify length & color

**CXX** - Cord with three Suspension Cables  
(Silver braided cord is not available with LED)

**A200** - Wall Mount Arc 34"

### CANOPY OPTIONS

**CAC** - Canopy Alternative Color  
**CR432** - Cluster Canopy\* 4.5" x 42"  
**CR860** - Cluster Canopy\* 8" x 60"  
 \* Specify arrangement and heights.

### LENS OPTIONS

**LTC3** - Top Lens Clear Acrylic  
**LTY3** - Top Lens Metal Perf.  
**LTO3** - Top Lens Opaque  
  
**LBY3** - Bottom Lens Metal Perf.  
**LBA3** - Applied LUMENATE® Bottom Lens

### LED OPTIONS

**EMR** - Remote Emergency Battery Backup  
Requires Stem or 2 Power Cords

### CFL BALLAST OPTIONS

**BDLI** - Dimming Ballast Lutron Internal  
**BDAI** - Dimming Ballast Advance Internal  
**BER** - Emergency Ballast Remote

Project Name	Specifier Name & Location	Quantity
<input type="text"/>	<input type="text"/>	<input type="text"/>



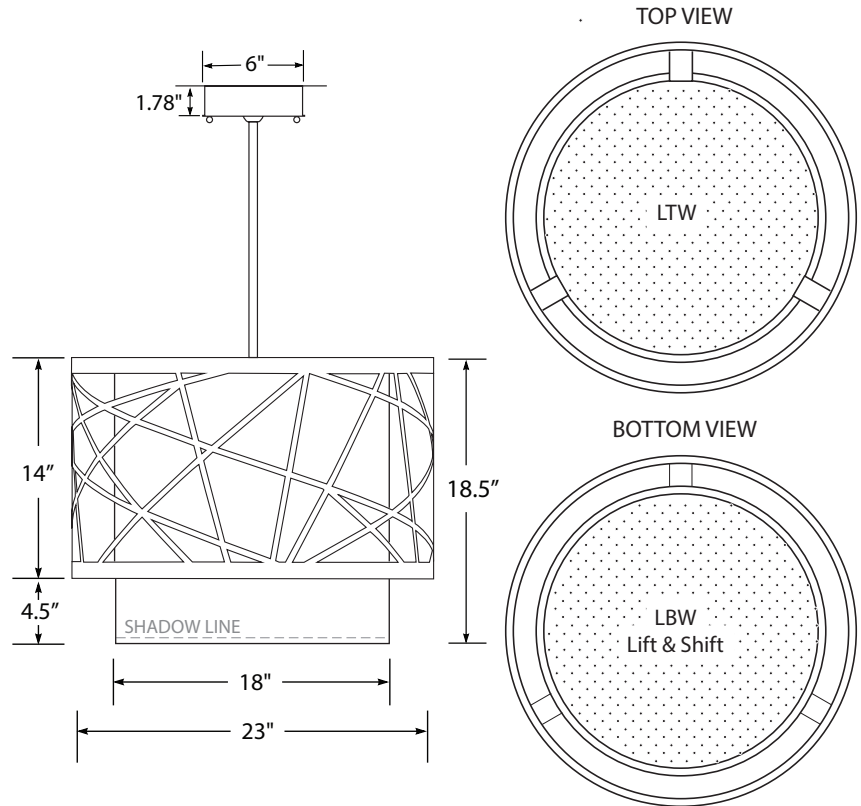
Notes

Lumetta Inc., 33 Minnesota Ave., Warwick, RI 02888 t 401-691-3994 f 401-921-1310 [www.lumetta.com](http://www.lumetta.com)

This design is the intellectual property of Lumetta, Inc. All rights reserved. Specifications are subject to change without notice.

# Xina SL 23" Pendant P62304SL

Design modifications are always welcome.



- Welded steel / aluminum
- LUMENATE® washable diffuser
- LBW etched white acrylic bottom lens
- LTW white acrylic top lens
- Field cuttable ball swivel stem
- Canopy finished to match frame
- Mounts to standard J-box
- Suitable for damp locations

weight: 14 lbs  
 US LISTED  
 MADE IN USA

<b>P62304SL</b>						
<b>STEM</b>	<b>FINISH</b>	<b>DIFFUSER</b>	<b>LAMPING</b>	<b>VOLTAGE</b>		
Specify 1" increments 3" - 60"	F2 Chrome F3 Black F4 Earth F5 Copper F6 Brass F7 Bronze F8 Steel F10 Hammered Copper F11 White	Select from any of our <b>LUMENATE®</b> Diffuser options.	L411 - LED 2140 Initial Lumens 21W 3000K Dimming: 0-10V 1% UNV or 120V Phase  Please contact customer service for component specifications including additional color temperatures.  Lamps not included: CFL 1/32W TBX-GX24Q-3 INC 1/Med. Base	120V 277V 347V CFL Only		

## + OPTIONS

### SUSPENSION OPTIONS

**STM** - Additional Stem Length  
Specify length & color

**CXX** - Cord with three Suspension Cables  
(Silver braided cord is not available with LED)

**A200** - Wall Mount Arc 34"

### CANOPY OPTIONS

**CAC** - Canopy Alternative Color  
**CR432** - Cluster Canopy\* 4.5" x 42"  
**CR860** - Cluster Canopy\* 8" x 60"  
 \* Specify arrangement and heights.

### LENS OPTIONS

**LTC3** - Top Lens Clear Acrylic  
**LTY3** - Top Lens Metal Perf.  
**LTO3** - Top Lens Opaque

**LBY3** - Bottom Lens Metal Perf.  
**LBA3** - Applied LUMENATE® Bottom Lens

### LED OPTIONS

**EMR** - Remote Emergency Battery Backup  
Requires Stem or 2 Power Cords

### CFL BALLAST OPTIONS

**BDLI** - Dimming Ballast Lutron Internal  
**BDAI** - Dimming Ballast Advance Internal  
**BER** - Emergency Ballast Remote

Project Name	Specifier Name & Location	Quantity
<input type="text"/>	<input type="text"/>	<input type="text"/>



Notes

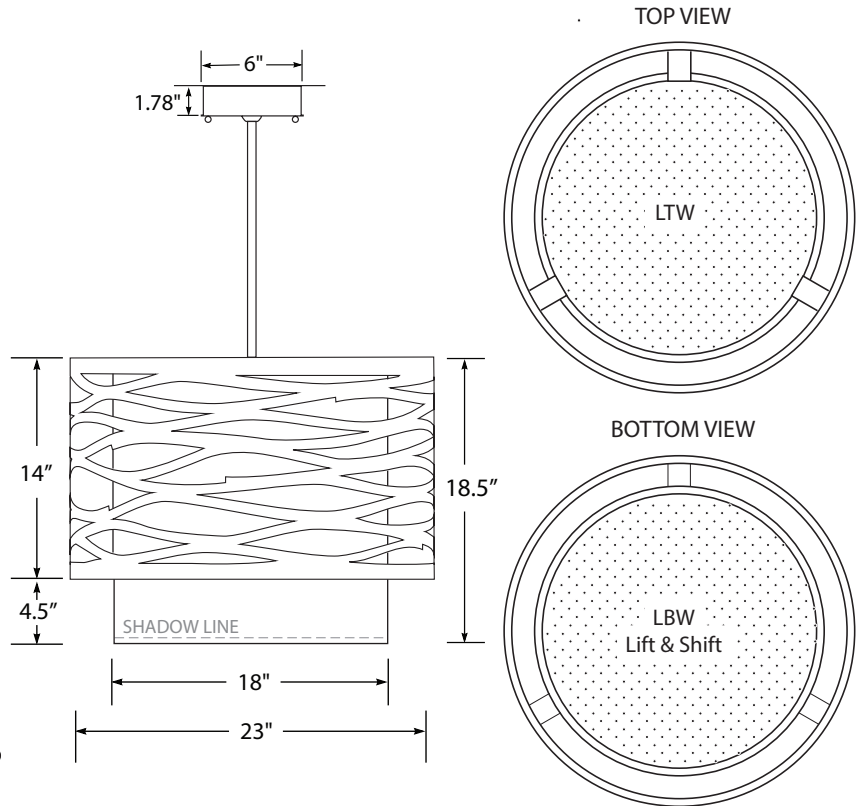
Lumetta Inc., 33 Minnesota Ave., Warwick, RI 02888 t 401-691-3994 f 401-921-1310 [www.lumetta.com](http://www.lumetta.com)

This design is the intellectual property of Lumetta, Inc. All rights reserved. Specifications are subject to change without notice.



# Traverse SL 23" Pendant P62305SL

Design modifications are always welcome.



- Welded steel / aluminum
- LUMENATE® washable diffuser
- LBW etched white acrylic bottom lens
- LTW white acrylic top lens
- Field cuttable ball swivel stem
- Canopy finished to match frame
- Mounts to standard J-box
- Suitable for damp locations

weight: 15 lbs  
 UL US LISTED  
 MADE IN USA

P62305SL						
<b>STEM</b>	<b>FINISH</b>	<b>DIFFUSER</b>	<b>LAMPING</b>	<b>VOLTAGE</b>		
Specify 1" increments 3" - 60"	F2 Chrome F3 Black F4 Earth F5 Copper F6 Brass F7 Bronze F8 Steel F10 Hammered Copper F11 White	Select from any of our <b>LUMENATE®</b> Diffuser options.	L411 - LED 2140 Initial Lumens 21W 3000K Dimming: 0-10V 1% UNV or 120V Phase  Please contact customer service for component specifications including additional color temperatures.  Lamps not included: CFL 1/32W TBX-GX24Q-3 INC 1/Med. Base	120V 277V 347V CFL Only		

## + OPTIONS

### SUSPENSION OPTIONS

**STM** - Additional Stem Length  
Specify length & color

**CXX** - Cord with three Suspension Cables  
(Silver braided cord is not available with LED)

**A200** - Wall Mount Arc 34"

### CANOPY OPTIONS

**CAC** - Canopy Alternative Color  
**CR432** - Cluster Canopy\* 4.5" x 42"  
**CR860** - Cluster Canopy\* 8" x 60"  
 \* Specify arrangement and heights.

### LENS OPTIONS

**LTC3** - Top Lens Clear Acrylic  
**LTY3** - Top Lens Metal Perf.  
**LTO3** - Top Lens Opaque  
  
**LBY3** - Bottom Lens Metal Perf.  
**LBA3** - Applied LUMENATE® Bottom Lens

### LED OPTIONS

**EMR** - Remote Emergency Battery Backup  
Requires Stem or 2 Power Cords

### CFL BALLAST OPTIONS

**BDLI** - Dimming Ballast Lutron Internal  
**BDAI** - Dimming Ballast Advance Internal  
**BER** - Emergency Ballast Remote

Project Name	Specifier Name & Location	Quantity
<input type="text"/>	<input type="text"/>	<input type="text"/>



Notes

Lumetta Inc., 33 Minnesota Ave., Warwick, RI 02888 t 401-691-3994 f 401-921-1310 [www.lumetta.com](http://www.lumetta.com)

This design is the intellectual property of Lumetta, Inc. All rights reserved. Specifications are subject to change without notice.