

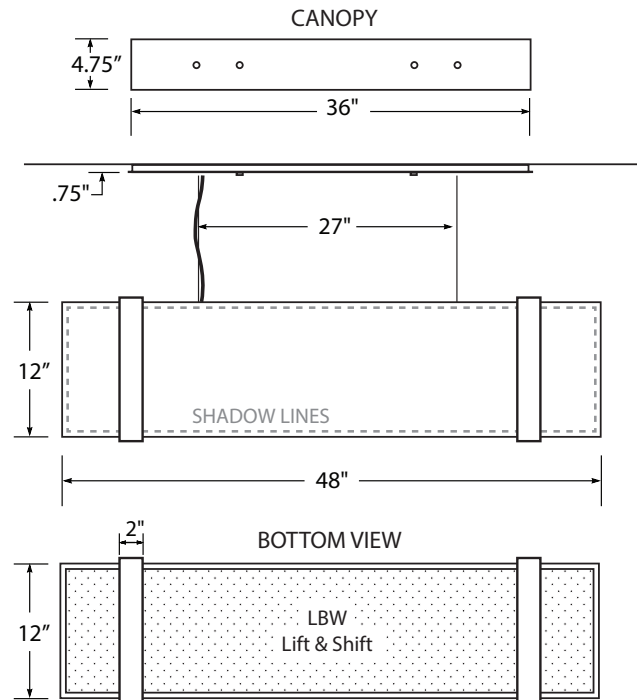
# Streamline 48" Pendant P1244

Design modifications are always welcome.



- Welded steel
- LUMENATE® washable diffuser
- LBW etched white acrylic bottom lens
- LTW white acrylic top lens
- 6' black or white cord
- Two suspension cables
- Canopy finished to match frame
- Two toggle bolts for ceiling mount weight: 11 lbs
- Suitable for damp locations

 US LISTED  
MADE IN USA



<b>P1244</b>					
<b>CORD COLOR</b>	<b>FINISH</b>	<b>DIFFUSER</b>	<b>LAMPING</b>	<b>VOLTAGE</b>	
<input type="checkbox"/> Black <input type="checkbox"/> White	F2 Chrome F3 Black F4 Earth F5 Copper F6 Brass F7 Bronze F8 Steel F10 Hammered Copper F11 White	Select from any of our <b>LUMENATE®</b> Diffuser options.	L408 - LED 10,140 Initial Lumens 67.2 W 3000K 0-10V 1% Dimming UNV Please contact customer service for component specifications including additional color temperatures. Lamps not included: 2/21W T5 2/39W T5HO INC 3/ Med. Base	120V 277V 347V CFL Only	
<b>+ OPTIONS</b>					

## SUSPENSION OPTIONS

- STM** - Two Stems  
Specify length in 1' increments.
- CXX2** - Cord Extra (Specify length)
- CXS2** - Cord Braided Silver (not LED)

## CANOPY OPTIONS

- CAC** - Canopy Alternative Color

## LENS OPTIONS

- LTC5** - Top Lens Clear Acrylic
- LTY5** - Top Lens Metal Perf.
- LT05** - Top Lens Opaque
- LBY5** - Bottom Lens Metal Perf.
- LBA5** - Applied LUMENATE® Bottom Lens

## LED OPTIONS

- EMI** - Internal Emergency Battery Backup  
Requires Stems or 2 Power Cords

## CFL BALLAST OPTIONS

- BDLI** - Dimming Ballast Lutron Internal
- BDAI** - Dimming Ballast Advance Internal
- BEI** - Emergency Ballast Internal

Project Name	Specifier Name & Location	Quantity
<input type="text"/>	<input type="text"/>	<input type="text"/>



Notes

Lumetta Inc., 33 Minnesota Ave., Warwick, RI 02888 t 401-691-3994 f 401-921-1310 [www.lumetta.com](http://www.lumetta.com)

This design is the intellectual property of Lumetta, Inc. All rights reserved. Specifications are subject to change without notice.

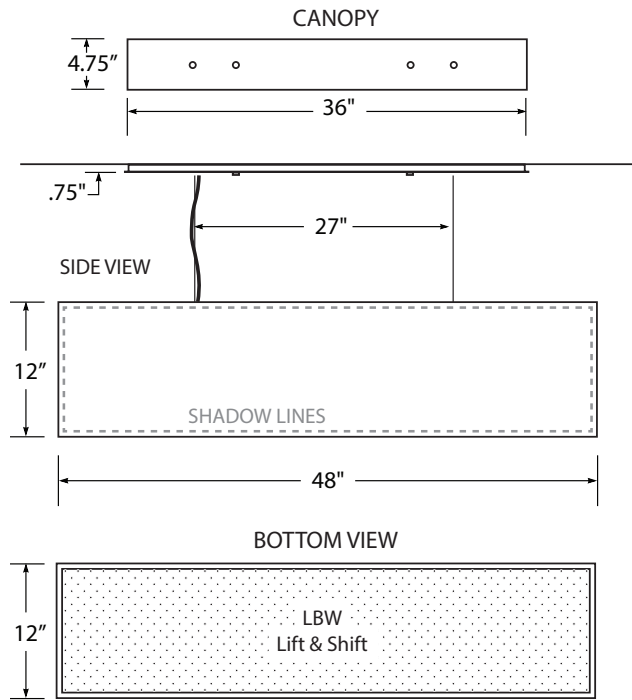
# Streamline Simple 48" Pendant P1248

Design modifications are always welcome.



- Welded steel
- LUMENATE® washable diffuser
- LBW etched white acrylic bottom lens
- LTW white acrylic top lens
- 6' black or white cord
- Two suspension cables
- Canopy finished to match frame
- Two toggle bolts for ceiling mount weight: 10 lbs
- Suitable for damp locations

 US LISTED  
MADE IN USA



<b>P1248</b>					
<b>CORD COLOR</b>	<b>FINISH</b>	<b>DIFFUSER</b>	<b>LAMPING</b>	<b>VOLTAGE</b>	
<input type="checkbox"/> Black <input type="checkbox"/> White	F2 Chrome F3 Black F4 Earth F5 Copper F6 Brass F7 Bronze F8 Steel F10 Hammered Copper F11 White	Select from any of our <b>LUMENATE®</b> Diffuser options.	L408 - LED 10,140 Initial Lumens 67.2 W 3000K 0-10V 1% Dimming UNV Please contact customer service for component specifications including additional color temperatures. Lamps not included: 2/21W T5 2/39W T5HO INC 3/ Med. Base	120V	
<b>+ OPTIONS</b>				277V	
				347V CFL Only	

**SUSPENSION OPTIONS**

- STM** - Two Stems  
Specify length in 1' increments.
- CXX2** - Cord Extra (Specify length)
- CXS2** - Cord Braided Silver (not LED)

**CANOPY OPTIONS**

- CAC** - Canopy Alternative Color

**LENS OPTIONS**

- LTC5** - Top Lens Clear Acrylic
- LTY5** - Top Lens Metal Perf.
- LT05** - Top Lens Opaque
- LBY5** - Bottom Lens Metal Perf.
- LBAS** - Applied LUMENATE® Bottom Lens

**LED OPTIONS**

- EMI** - Internal Emergency Battery Backup  
Requires Stems or 2 Power Cords

**CFL BALLAST OPTIONS**

- BDLI** - Dimming Ballast Lutron Internal
- BDAI** - Dimming Ballast Advance Internal
- BEI** - Emergency Ballast Internal

Project Name	Specifier Name & Location	Quantity
<input type="text"/>	<input type="text"/>	<input type="text"/>



Notes

Lumetta Inc., 33 Minnesota Ave., Warwick, RI 02888 t 401-691-3994 f 401-921-1310 [www.lumetta.com](http://www.lumetta.com)

This design is the intellectual property of Lumetta, Inc. All rights reserved. Specifications are subject to change without notice.

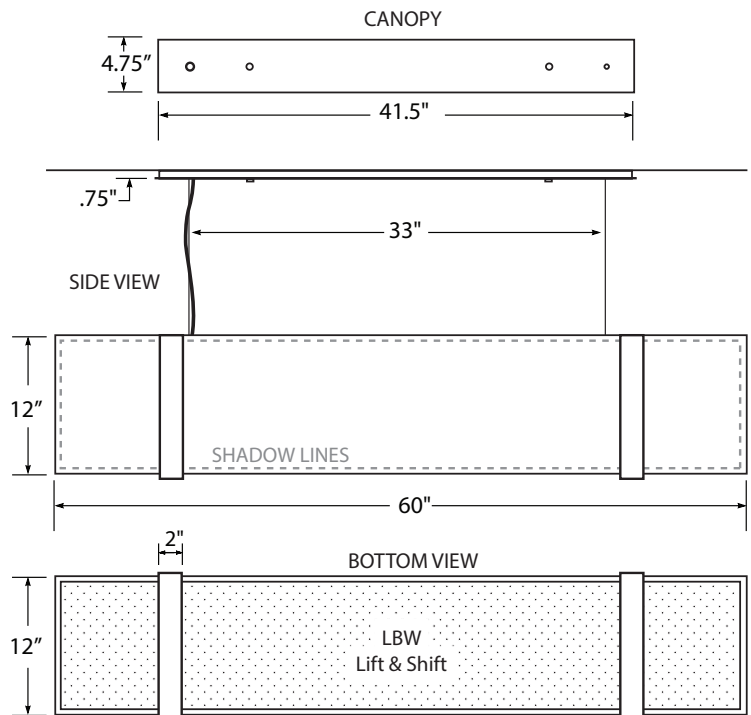
# Streamline 60" Pendant P1266

Design modifications are always welcome.



- Welded steel
- LUMENATE® washable diffuser
- LBW etched white acrylic bottom lens
- LTW white acrylic top lens
- 6' black or white cord
- Two suspension cables
- Canopy finished to match frame
- Two toggle bolts for ceiling mount weight: 13 lbs
- Suitable for damp locations

 US LISTED  
MADE IN USA



<b>P1266</b>					
<b>CORD COLOR</b>	<b>FINISH</b>	<b>DIFFUSER</b>	<b>LAMPING</b>	<b>VOLTAGE</b>	
<input type="checkbox"/> Black <input type="checkbox"/> White	F2 Chrome F3 Black F4 Earth F5 Copper F6 Brass F7 Bronze F8 Steel F10 Hammered Copper F11 White	Select from any of our <b>LUMENATE®</b> Diffuser options.	L408 - LED 10,140 Initial Lumens 67.2 W 3000K 0-10V 1% Dimming UNV  Please contact customer service for component specifications including additional color temperatures.  Lamps not included: 2/28W T5 2/54W T5HO INC 3/ Med. Base	120V	
<b>+ OPTIONS</b>				277V	
				347V CFL Only	

## SUSPENSION OPTIONS

- STM** - Two Stems  
Specify length in 1' increments.
- CXX2** - Cord Extra (Specify length)
- CXS2** - Cord Braided Silver (not LED)

## CANOPY OPTIONS

- CAC** - Canopy Alternative Color

## LENS OPTIONS

- LTC6** - Top Lens Clear Acrylic
- LTY6** - Top Lens Metal Perf.
- LTO6** - Top Lens Opaque
- LBY6** - Bottom Lens Metal Perf.
- LBA6** - Applied LUMENATE® Bottom Lens

## LED OPTIONS

- EMI** - Internal Emergency Battery Backup  
Requires Stems or 2 Power Cords

## CFL BALLAST OPTIONS

- BDLI** - Dimming Ballast Lutron Internal
- BDAI** - Dimming Ballast Advance Internal
- BEI** - Emergency Ballast Internal

Project Name

Specifier Name & Location

Quantity

Notes



Lumetta Inc., 33 Minnesota Ave., Warwick, RI 02888 t 401-691-3994 f 401-921-1310 [www.lumetta.com](http://www.lumetta.com)

This design is the intellectual property of Lumetta, Inc. All rights reserved. Specifications are subject to change without notice.

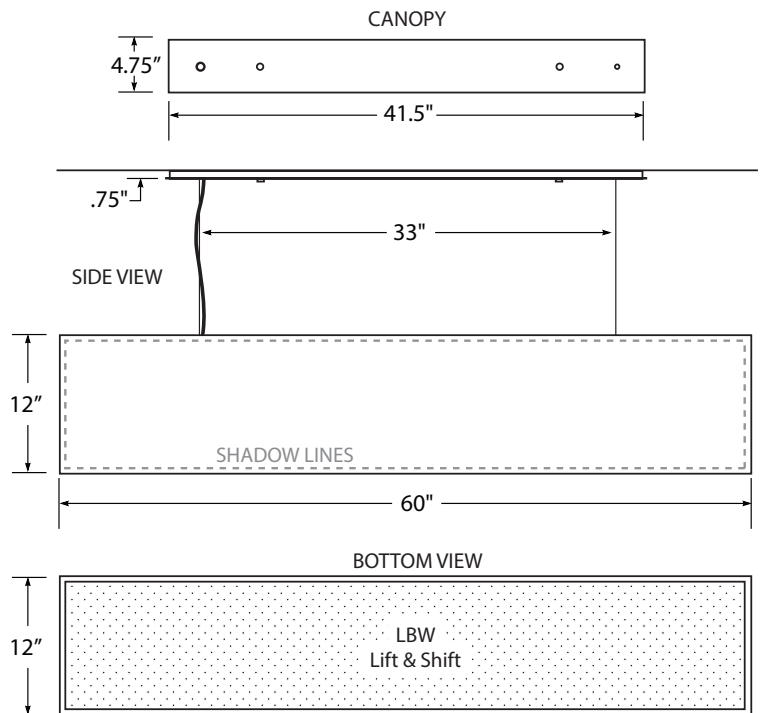
# Streamline Simple 60" Pendant P1260

Design modifications are always welcome.



- Welded steel
- LUMENATE® washable diffuser
- LBW etched white acrylic bottom lens
- LTW white acrylic top lens
- 6' black or white cord
- Two suspension cables
- Canopy finished to match frame
- Two toggle bolts for ceiling mount weight: 12 lbs
- Suitable for damp locations

US LISTED  
MADE IN USA



<b>P1260</b>					
<b>CORD COLOR</b>	<b>FINISH</b>	<b>DIFFUSER</b>	<b>LAMPING</b>	<b>VOLTAGE</b>	
<input type="checkbox"/> Black <input type="checkbox"/> White	F2 Chrome F3 Black F4 Earth F5 Copper F6 Brass F7 Bronze F8 Steel F10 Hammered Copper F11 White	Select from any of our <b>LUMENATE®</b> Diffuser options.	L408 - LED 10,140 Initial Lumens 67.2 W 3000K 0-10V 1% Dimming UNV Please contact customer service for component specifications including additional color temperatures. Lamps not included: 2/28W T5 2/54W T5HO INC 3/ Med. Base	120V	
<b>+ OPTIONS</b>			277V	347V <i>CFL Only</i>	

### SUSPENSION OPTIONS

**STM** - Two Stems  
Specify length in 1' increments.

**CXX2** - Cord Extra (Specify length)

**CXS2** - Cord Braided Silver (not LED)

### CANOPY OPTIONS

**CAC** - Canopy Alternative Color

### LENS OPTIONS

**LTC6** - Top Lens Clear Acrylic

**LTy6** - Top Lens Metal Perf.

**LTO6** - Top Lens Opaque

**LBy6** - Bottom Lens Metal Perf.

**LBA6** - Applied LUMENATE® Bottom Lens

### LED OPTIONS

**EMI** - Internal Emergency Battery Backup  
Requires Stems or 2 Power Cords

### CFL BALLAST OPTIONS

**BDLI** - Dimming Ballast Lutron Internal  
**BDAI** - Dimming Ballast Advance Internal  
**BEI** - Emergency Ballast Internal

Project Name

Specifier Name & Location

Quantity

Notes



Lumetta Inc., 33 Minnesota Ave., Warwick, RI 02888 t 401-691-3994 f 401-921-1310 [www.lumetta.com](http://www.lumetta.com)

This design is the intellectual property of Lumetta, Inc. All rights reserved. Specifications are subject to change without notice.

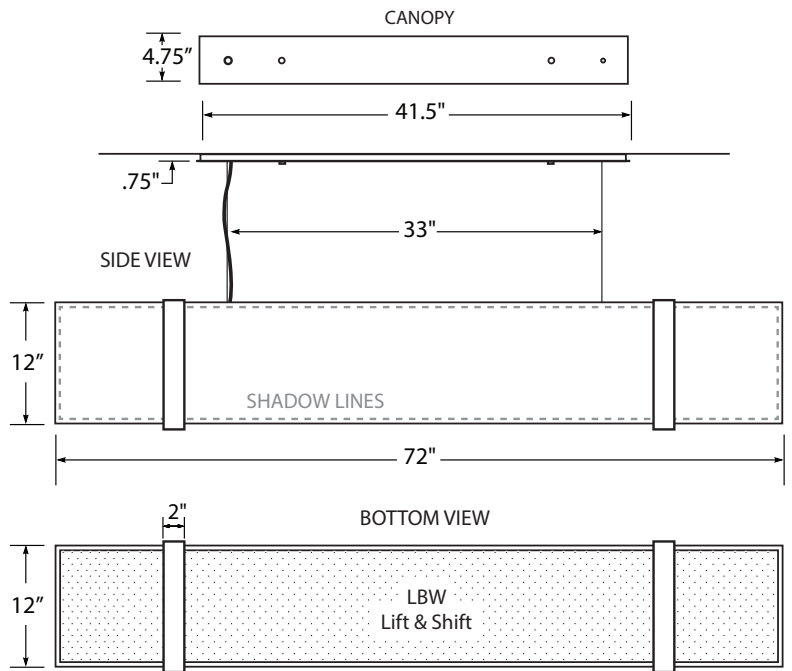
# Streamline 72" Pendant P1277

Design modifications are always welcome.



- Welded steel
- LUMENATE® washable diffuser
- LBW etched white acrylic bottom lens
- LTW white acrylic top lens
- 6' black or white cord
- Two suspension cables
- Canopy finished to match frame
- Two toggle bolts for ceiling mount weight: 15 lbs
- Suitable for damp locations

 US LISTED  
MADE IN USA



<b>P1277</b>					
<b>CORD COLOR</b>	<b>FINISH</b>	<b>DIFFUSER</b>	<b>LAMPING</b>	<b>VOLTAGE</b>	
<input type="checkbox"/> Black <input type="checkbox"/> White	F2 Chrome F3 Black F4 Earth F5 Copper F6 Brass F7 Bronze F8 Steel F10 Hammered Copper F11 White	Select from any of our <b>LUMENATE®</b> Diffuser options.	L405 - LED 15,210 Initial Lumens 100.8 W 3000K 0-10V 1% Dimming UNV  Please contact customer service for component specifications including additional color temperatures.  Lamps not included: 2/28W T5 2/54W T5HO	120V 277V 347V <i>CFL Only</i>	
<b>+ OPTIONS</b>					

## SUSPENSION OPTIONS

**STM** - Two Stems  
Specify length in 1' increments.

**CXX2** - Cord Extra (Specify length)

**CXS2** - Cord Braided Silver (not LED)

## CANOPY OPTIONS

**CAC** - Canopy Alternative Color

## LENS OPTIONS

**LTC7** - Top Lens Clear Acrylic

**LTY7** - Top Lens Metal Perf.

**LTO7** - Top Lens Opaque

**LBY7** - Bottom Lens Metal Perf.

**LBA7** - Applied LUMENATE® Bottom Lens

## LED OPTIONS

**EMI** - Internal Emergency Battery Backup  
Requires Stems or 2 Power Cords

## CFL BALLAST OPTIONS

**BDLI** - Dimming Ballast Lutron Internal  
**BDAI** - Dimming Ballast Advance Internal  
**BEI** - Emergency Ballast Internal

Project Name

Specifier Name & Location

Quantity

Notes

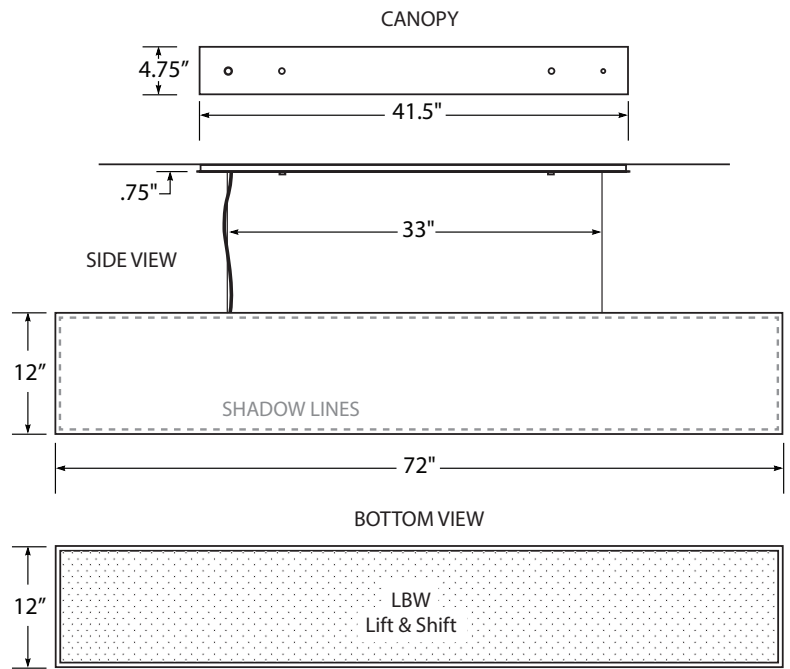


Lumetta Inc., 33 Minnesota Ave., Warwick, RI 02888 t 401-691-3994 f 401-921-1310 [www.lumetta.com](http://www.lumetta.com)

This design is the intellectual property of Lumetta, Inc. All rights reserved. Specifications are subject to change without notice.

# Streamline Simple 72" Pendant P1272

Design modifications are always welcome.



- Welded steel
- LUMENATE® washable diffuser
- LBW etched white acrylic bottom lens
- LTW white acrylic top lens
- 6' black or white cord
- Two suspension cables
- Canopy finished to match frame
- Two toggle bolts for ceiling mount weight: 14 lbs
- Suitable for damp locations

US LISTED  
MADE IN USA

<b>P1272</b>					
<b>CORD COLOR</b>	<b>FINISH</b>	<b>DIFFUSER</b>	<b>LAMPING</b>	<b>VOLTAGE</b>	
<input type="checkbox"/> Black <input type="checkbox"/> White	F2 Chrome F3 Black F4 Earth F5 Copper F6 Brass F7 Bronze F8 Steel F10 Hammered Copper F11 White	Select from any of our <b>LUMENATE®</b> Diffuser options.	L405 - LED 15,210 Initial Lumens 100.8 W 3000K 0-10V 1% Dimming UNV  <i>Please contact customer service for component specifications including additional color temperatures.</i>  Lamps not included: 2/28W T5 2/54W T5HO	120V 277V 347V <i>CFL Only</i>	<input type="checkbox"/> <input type="checkbox"/> <input type="checkbox"/>
<b>+ OPTIONS</b>					

## SUSPENSION OPTIONS

**STM** - Two Stems  
*Specify length in 1' increments.*

**CXX2** - Cord Extra (*Specify length*)

**CXS2** - Cord Braided Silver (*not LED*)

## CANOPY OPTIONS

**CAC** - Canopy Alternative Color

## LENS OPTIONS

**LTC7** - Top Lens Clear Acrylic

**LTYP7** - Top Lens Metal Perf.

**LTO7** - Top Lens Opaque

**LBYP7** - Bottom Lens Metal Perf.

**LBA7** - Applied LUMENATE® Bottom Lens

## LED OPTIONS

**EMI** - Internal Emergency Battery Backup  
*Requires Stems or 2 Power Cords*

## CFL BALLAST OPTIONS

- BDLI** - Dimming Ballast Lutron Internal
- BDAI** - Dimming Ballast Advance Internal
- BEI** - Emergency Ballast Internal

Project Name

Specifier Name & Location

Quantity

Notes



Lumetta Inc., 33 Minnesota Ave., Warwick, RI 02888 t 401-691-3994 f 401-921-1310 [www.lumetta.com](http://www.lumetta.com)

This design is the intellectual property of Lumetta, Inc. All rights reserved. Specifications are subject to change without notice.

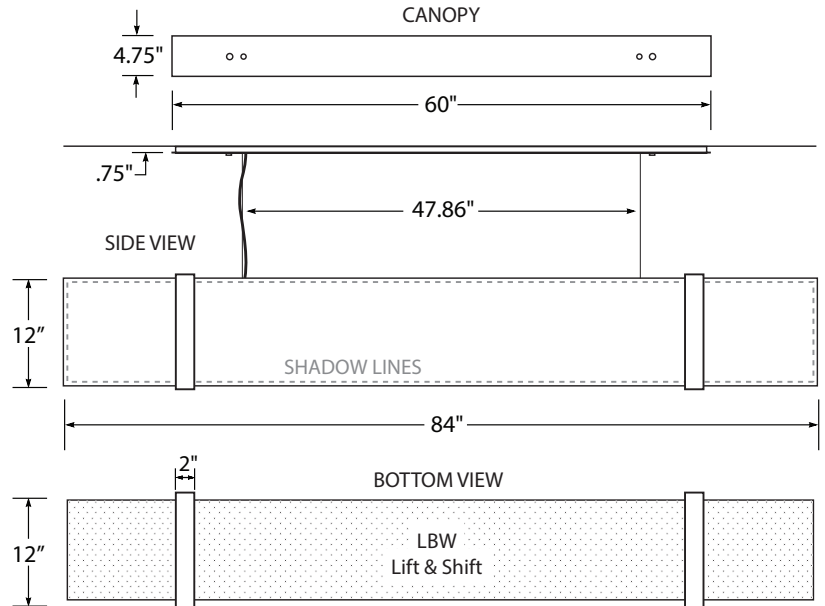
# Streamline 84" Pendant P1288

Design modifications are always welcome.



- Welded steel
- LUMENATE® washable diffuser
- LBW etched white acrylic bottom lens
- LTW white acrylic top lens
- 6' black or white cord
- Two suspension cables
- Canopy finished to match frame
- Two toggle bolts for ceiling mount weight: 17 lbs
- Suitable for damp locations

US LISTED  
MADE IN USA



<b>P1288</b>					
<b>CORD COLOR</b>	<b>FINISH</b>	<b>DIFFUSER</b>	<b>LAMPING</b>	<b>VOLTAGE</b>	
<input type="checkbox"/> Black <input type="checkbox"/> White	F2 Chrome F3 Black F4 Earth F5 Copper F6 Brass F7 Bronze F8 Steel F10 Hammered Copper F11 White	Select from any of our <b>LUMENATE®</b> Diffuser options.	L405 - LED 15,210 Initial Lumens 100.8 W 3000K 0-10V 1% Dimming UNV Please contact customer service for component specifications including additional color temperatures.  Lamps not included: 4/28W T5 2/54W T5HO	120V 277V 347V <i>CFL Only</i>	

## + OPTIONS

### SUSPENSION OPTIONS

- STM** - Two Stems  
*Specify length in 1' increments.*
- CXX2** - Cord Extra (*Specify length*)
- CXS2** - Cord Braided Silver (*not LED*)

### CANOPY OPTIONS

- CAC** - Canopy Alternative Color

### LENS OPTIONS

- LTC8** - Top Lens Clear Acrylic
- LTY8** - Top Lens Metal Perf.
- LTO8** - Top Lens Opaque
- LBY8** - Bottom Lens Metal Perf.
- LBA8** - Applied LUMENATE® Bottom Lens

### LED OPTIONS

- EMI** - Internal Emergency Battery Backup  
*Requires Stems or 2 Power Cords*

### CFL BALLAST OPTIONS

- BDLI** - Dimming Ballast Lutron Internal
- BDAI** - Dimming Ballast Advance Internal
- BEI** - Emergency Ballast Internal

Project Name	Specifier Name & Location	Quantity
<input type="text"/>	<input type="text"/>	<input type="text"/>

Notes

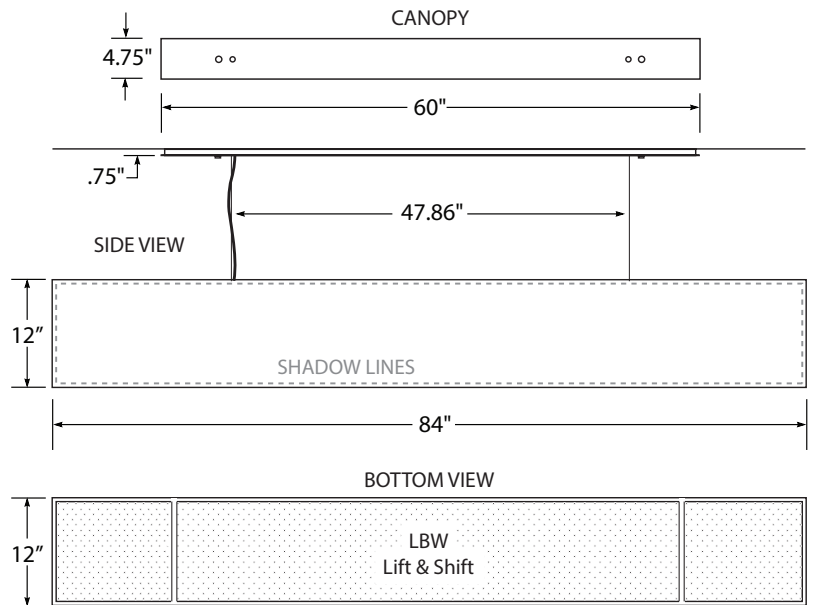


Lumetta Inc., 33 Minnesota Ave., Warwick, RI 02888 t 401-691-3994 f 401-921-1310 [www.lumetta.com](http://www.lumetta.com)

This design is the intellectual property of Lumetta, Inc. All rights reserved. Specifications are subject to change without notice.

# Streamline Simple 84" Pendant P1284

Design modifications are always welcome.



- Welded steel
- LUMENATE® washable diffuser
- LBW etched white acrylic bottom lenses
- LTW white acrylic top lens
- 6' black or white cord
- Two suspension cables
- Canopy finished to match frame
- Two toggle bolts for ceiling mount weight: 16 lbs
- Suitable for damp locations

US LISTED  
MADE IN USA

<b>P1284</b>					
<b>CORD COLOR</b>	<b>FINISH</b>	<b>DIFFUSER</b>	<b>LAMPING</b>	<b>VOLTAGE</b>	
<input type="checkbox"/> Black <input type="checkbox"/> White	F2 Chrome F3 Black F4 Earth F5 Copper F6 Brass F7 Bronze F8 Steel F10 Hammered Copper F11 White	Select from any of our <b>LUMENATE®</b> Diffuser options.	L405 - LED 15,210 Initial Lumens 100.8 W 3000K 0-10V 1% Dimming UNV Please contact customer service for component specifications including additional color temperatures.  Lamps not included: 4/28W T5 2/54W T5HO	120V 277V 347V CFL Only	

## + OPTIONS

### SUSPENSION OPTIONS

- STM** - Two Stems  
*Specify length in 1' increments.*
- CXX2** - Cord Extra (*Specify length*)
- CXS2** - Cord Braided Silver (*not LED*)

### CANOPY OPTIONS

- CAC** - Canopy Alternative Color

### LENS OPTIONS

- LTC8** - Top Lens Clear Acrylic
- LTy8** - Top Lens Metal Perf.
- LT08** - Top Lens Opaque
- LBy8** - Bottom Lens Metal Perf.
- LBA8** - Applied LUMENATE® Bottom Lens

### LED OPTIONS

- EMI** - Internal Emergency Battery Backup  
*Requires Stems or 2 Power Cords*

### CFL BALLAST OPTIONS

- BDLI** - Dimming Ballast Lutron Internal
- BDAI** - Dimming Ballast Advance Internal
- BEI** - Emergency Ballast Internal

Project Name	Specifier Name & Location	Quantity
<input type="text"/>	<input type="text"/>	<input type="text"/>



Notes

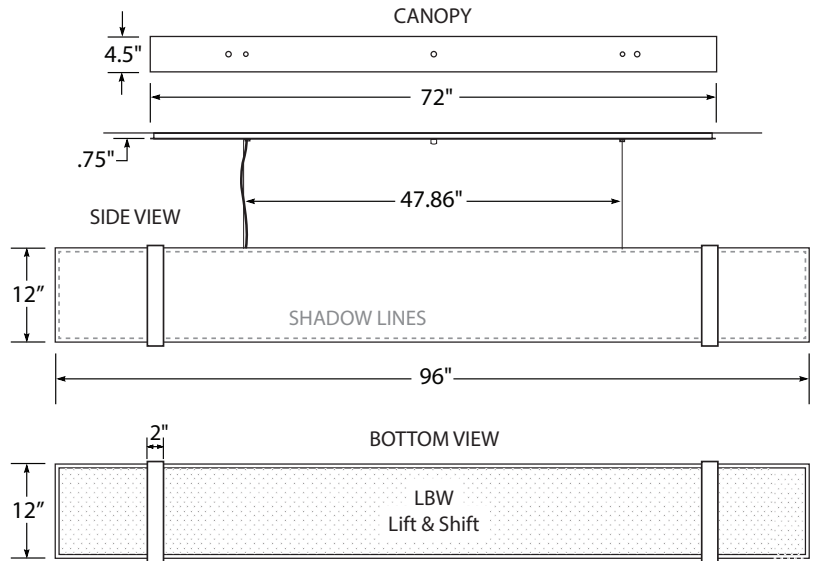
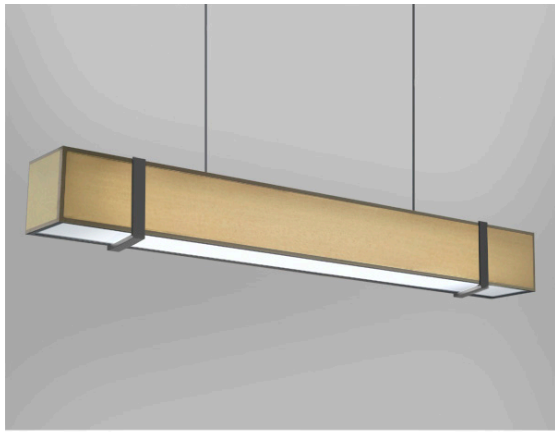
Lumetta Inc., 33 Minnesota Ave., Warwick, RI 02888 t 401-691-3994 f 401-921-1310 [www.lumetta.com](http://www.lumetta.com)

This design is the intellectual property of Lumetta, Inc. All rights reserved. Specifications are subject to change without notice.



# Streamline 96" Pendant P1299

Design modifications are always welcome.



- Welded steel
- LUMENATE® washable diffuser
- LBW etched white acrylic bottom lens
- LTW white acrylic top lens
- 6' black or white cord
- Two suspension cables
- Canopy finished to match frame
- Two toggle bolts for ceiling mount weight: 19 lbs
- Suitable for damp locations

US LISTED  
MADE IN USA

<b>P1299</b>					
<b>CORD COLOR</b>	<b>FINISH</b>	<b>DIFFUSER</b>	<b>LAMPING</b>	<b>VOLTAGE</b>	
<input type="checkbox"/> Black <input type="checkbox"/> White	F2 Chrome F3 Black F4 Earth F5 Copper F6 Brass F7 Bronze F8 Steel F10 Hammered Copper F11 White	Select from any of our <b>LUMENATE®</b> Diffuser options.	L410 - LED 20,280 Initial Lumens 134.4 W 3000K 0-10V 1% Dimming UNV Please contact customer service for component specifications including additional color temperatures.  Lamps not included: 4/28W T5 4/54W T5HO	120V 277V 347V CFL Only	
<b>+ OPTIONS</b>					

## SUSPENSION OPTIONS

**STM** - Two Stems  
Specify length in 1' increments.

**CXX2** - Cord Extra (Specify length)

**CXS2** - Cord Braided Silver (not LED)

## CANOPY OPTIONS

**CAC** - Canopy Alternative Color

## LENS OPTIONS

**LTC9** - Top Lens Clear Acrylic

**LTY9** - Top Lens Metal Perf.

**LTO9** - Top Lens Opaque

**LBY9** - Bottom Lens Metal Perf.

**LBA9** - Applied LUMENATE® Bottom Lens

## LED OPTIONS

**EMI** - Internal Emergency Battery Backup  
Requires Stems or 2 Power Cords

## CFL BALLAST OPTIONS

**BDLI** - Dimming Ballast Lutron Internal  
**BDAI** - Dimming Ballast Advance Internal  
**BEI** - Emergency Ballast Internal

Project Name

Specifier Name & Location

Quantity

Notes

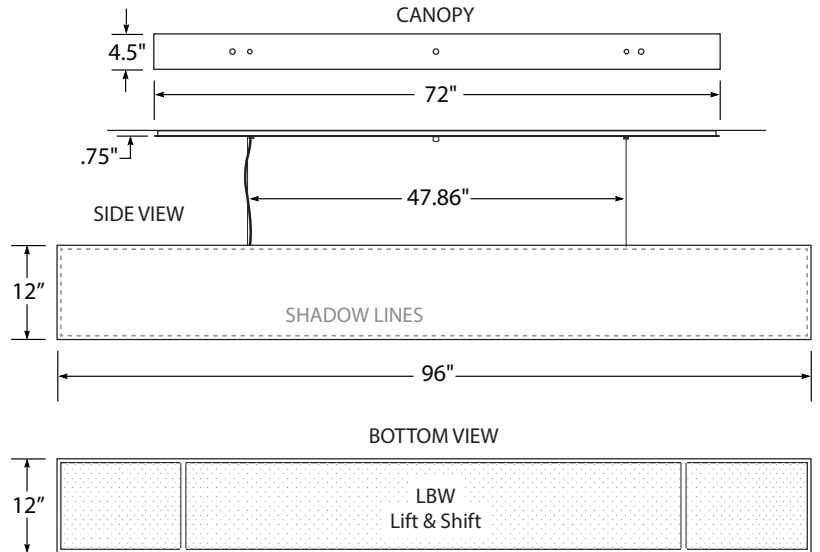
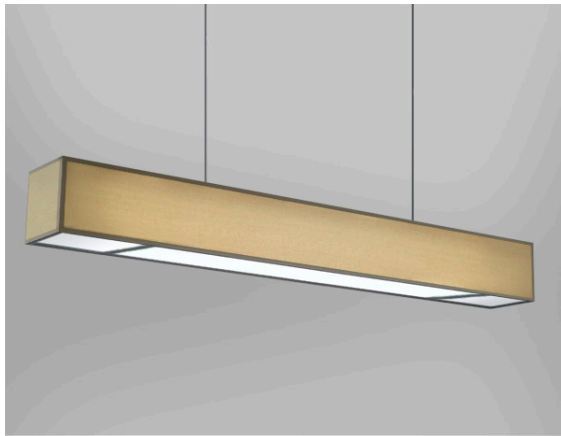


Lumetta Inc., 33 Minnesota Ave., Warwick, RI 02888 t 401-691-3994 f 401-921-1310 [www.lumetta.com](http://www.lumetta.com)

This design is the intellectual property of Lumetta, Inc. All rights reserved. Specifications are subject to change without notice.

# Streamline Simple 96" Pendant P1296

Design modifications are always welcome.



- Welded steel
- LUMENATE® washable diffuser
- LBW etched white acrylic bottom lenses
- LTW white acrylic top lens
- 6' black or white cord
- Two suspension cables
- Canopy finished to match frame
- Two toggle bolts for ceiling mount weight: 18 lbs
- Suitable for damp locations

 US LISTED  
MADE IN USA

<b>P1296</b>					
<b>CORD COLOR</b>	<b>FINISH</b>	<b>DIFFUSER</b>	<b>LAMPING</b>	<b>VOLTAGE</b>	
<input type="checkbox"/> Black <input type="checkbox"/> White	F2 Chrome F3 Black F4 Earth F5 Copper F6 Brass F7 Bronze F8 Steel F10 Hammered Copper F11 White	Select from any of our <b>LUMENATE®</b> Diffuser options.	L410 - LED 20,280 Initial Lumens 134.4 W 3000K 0-10V 1% Dimming UNV <i>Please contact customer service for component specifications including additional color temperatures.</i>  Lamps not included: 4/28W T5 4/54W T5HO	120V 277V 347V <i>CFL Only</i>	

## + OPTIONS

### SUSPENSION OPTIONS

- STM** - Two Stems  
*Specify length in 1' increments.*
- CXX2** - Cord Extra (*Specify length*)
- CXS2** - Cord Braided Silver (*not LED*)

### CANOPY OPTIONS

- CAC** - Canopy Alternative Color

### LENS OPTIONS

- LTC9** - Top Lens Clear Acrylic
- LTY9** - Top Lens Metal Perf.
- LTO9** - Top Lens Opaque
- LBY9** - Bottom Lens Metal Perf.
- LBA9** - Applied LUMENATE® Bottom Lens

### LED OPTIONS

- EMI** - Internal Emergency Battery Backup  
*Requires Stems or 2 Power Cords*

### CFL BALLAST OPTIONS

- BDLI** - Dimming Ballast Lutron Internal
- BDAI** - Dimming Ballast Advance Internal
- BEI** - Emergency Ballast Internal

Project Name <input type="text"/>	Specifier Name & Location <input type="text"/>	Quantity <input type="text"/>
--------------------------------------	---	----------------------------------



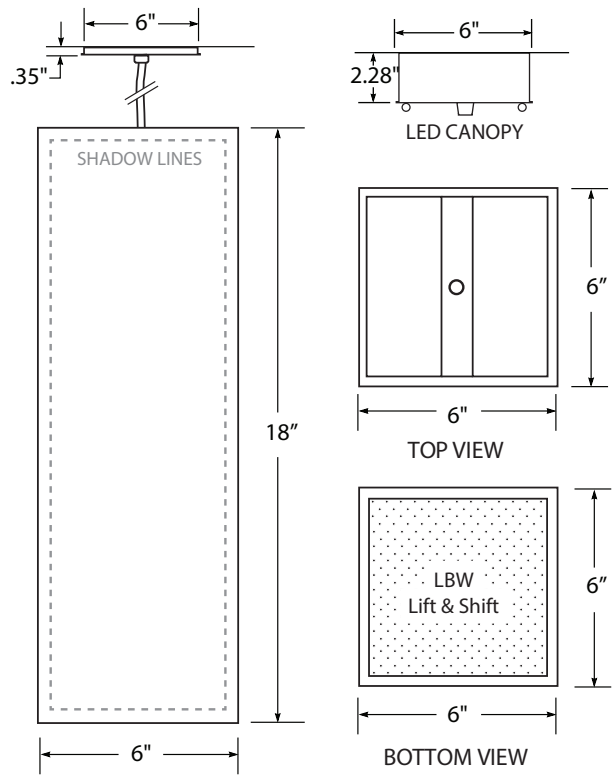
Notes

Lumetta Inc., 33 Minnesota Ave., Warwick, RI 02888 t 401-691-3994 f 401-921-1310 [www.lumetta.com](http://www.lumetta.com)

This design is the intellectual property of Lumetta, Inc. All rights reserved. Specifications are subject to change without notice.

# Box 18x6 Pendant P21618

Design modifications are always welcome.



- Welded steel
  - LUMENATE® washable diffuser
  - LBW etched white acrylic bottom lens
  - 6' black or white cord
  - Canopy finished to match frame
  - Mounts to standard J-box
  - Suitable for damp locations
- weight: 4 lbs  
 C US LISTED  
 MADE IN USA

<b>P21618</b>					
<b>CORD COLOR</b>	<b>FINISH</b>	<b>DIFFUSER</b>	<b>LAMPING</b>	<b>VOLTAGE</b>	
<input type="checkbox"/> Black <input type="checkbox"/> White	F2 Chrome F3 Black F4 Earth F5 Copper F6 Brass F7 Bronze F8 Steel F10 Hammered Copper F11 White	Select from any of our <b>LUMENATE®</b> Diffuser options.	L411 - LED 2140 Initial Lumens 21W 3000K Dimming: 0-10V 1% UNV or 120V Phase  Please contact customer service for component specifications including additional color temperatures.  Lamps not included: CFL 1/24W BX-2G11 CFL 1/26W DBX-G24Q-3 INC 1/ Med. Base	120V 277V	
<b>+ OPTIONS</b>					

### SUSPENSION OPTIONS

- STM** - Field Cuttable Ball Swivel Stem with 1.78" deep canopy. Specify length in 1' increments.
- CXX** - Cord Extra (Specify length)
- CXS** - Cord Braided Silver
- A100** - Wall Mount Arc 10"
- A200** - Wall Mount Arc 34"
- B100** - Wall Mount Linear 7"
- B200** - Wall Mount Linear 18"

### CANOPY OPTIONS

- CAC** - Canopy Alternative Color
  - CF6** - Flair Canopy 6" Dia
  - CF105** - Flair Canopy 10.5" Dia.
  - C66** - Square Canopy 6"
  - C1010** - Square Canopy 10"
  - CLUSTER CANOPIES** - See website for a variety of sizes and options. Specify arrangement and heights.
- NOTE: All canopy options for LED requires a custom 2.28" height.*

### LENS OPTIONS

- LTW1** - Top Lens White Acrylic
- LTC1** - Top Lens Clear Acrylic
- LTY1** - Top Lens Metal Perf.
- LTO1** - Top Lens Opaque
- LBY1** - Bottom Lens Metal Perf.
- LBA1** - Applied LUMENATE® Bottom Lens

### LED OPTIONS

- EMR** - Remote Emergency Battery Backup
- CFL BALLAST OPTIONS**
- BDLR** - Dimming Ballast Lutron Remote
- BDAR** - Dimming Ballast Advance Remote  
Dimming Ballast in canopy. Max 3' drop. May require Stem.
- BER** - Emergency Ballast Remote

Project Name	Specifier Name & Location	Quantity
<input type="text"/>	<input type="text"/>	<input type="text"/>



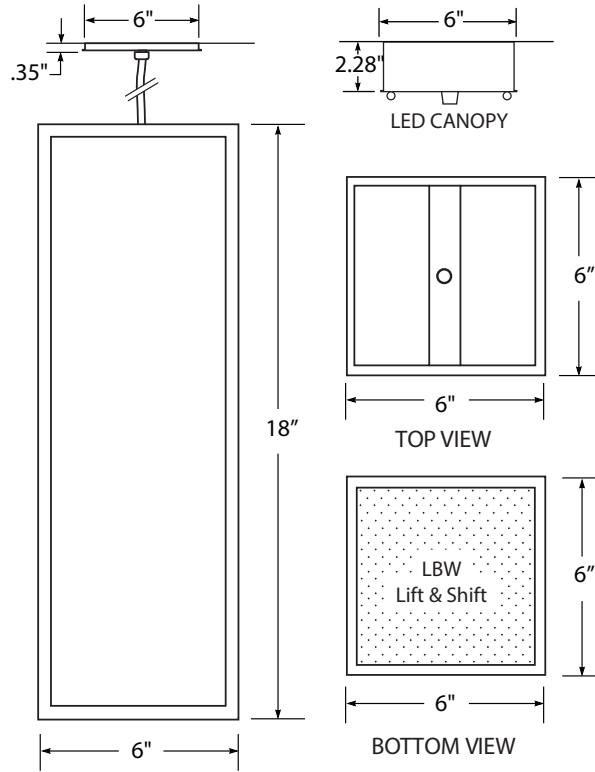
Notes

Lumetta Inc., 33 Minnesota Ave., Warwick, RI 02888 t 401-691-3994 f 401-921-1310 [www.lumetta.com](http://www.lumetta.com)

This design is the intellectual property of Lumetta, Inc. All rights reserved. Specifications are subject to change without notice.

# Box 18x6 Pendant (exterior frame) P16618

Design modifications are always welcome.



- Welded steel
  - LUMENATE® washable diffuser
  - LBW etched white acrylic bottom lens
  - 6' black or white cord
  - Canopy finished to match frame
  - Mounts to standard J-box
  - Suitable for damp locations
- weight: 4 lbs  
 C US LISTED  
 MADE IN USA

<b>P16618</b>					
<b>CORD COLOR</b>	<b>FINISH</b>	<b>DIFFUSER</b>	<b>LAMPING</b>	<b>VOLTAGE</b>	
<input type="checkbox"/> Black <input type="checkbox"/> White	F2 Chrome F3 Black F4 Earth F5 Copper F6 Brass F7 Bronze F8 Steel F10 Hammered Copper F11 White	Select from any of our <b>LUMENATE®</b> Diffuser options.	L411 - LED 2140 Initial Lumens 21W 3000K Dimming: 0-10V 1% UNV or 120V Phase  <i>Please contact customer service for component specifications including additional color temperatures.</i>  Lamps not included: CFL 1/24W BX-2G11 CFL 1/26W DBX-G24Q-3 INC 1/ Med. Base	120V 277V	
<b>+ OPTIONS</b>					

## SUSPENSION OPTIONS

- STM** - Field Cuttable Ball Swivel Stem with 1.78" deep canopy. Specify length in 1' increments.
- CXX** - Cord Extra (Specify length)  
**CXS** - Cord Braided Silver
- A100** - Wall Mount Arc 10"  
**A200** - Wall Mount Arc 34"  
**B100** - Wall Mount Linear 7"  
**B200** - Wall Mount Linear 18"

## CANOPY OPTIONS

- CAC** - Canopy Alternative Color  
**CF6** - Flair Canopy 6" Dia  
**CF105** - Flair Canopy 10.5" Dia.  
**C66** - Square Canopy 6"  
**C1010** - Square Canopy 10"
- CLUSTER CANOPIES** - See website for a variety of sizes and options. Specify arrangement and heights.
- NOTE: All canopy options for LED requires a custom 2.28" height.*

## LENS OPTIONS

- LTW1** - Top Lens White Acrylic  
**LTC1** - Top Lens Clear Acrylic  
**LTY1** - Top Lens Metal Perf.  
**LT01** - Top Lens Opaque
- LBY1** - Bottom Lens Metal Perf.  
**LBA1** - Applied LUMENATE® Bottom Lens

## LED OPTIONS

- EMR** - Remote Emergency Battery Backup
- CFL BALLAST OPTIONS**
- BDLR** - Dimming Ballast Lutron Remote  
**BDAR** - Dimming Ballast Advance Remote  
*Dimming Ballast in canopy. Max 3' drop. May require Stem.*
- BER** - Emergency Ballast Remote

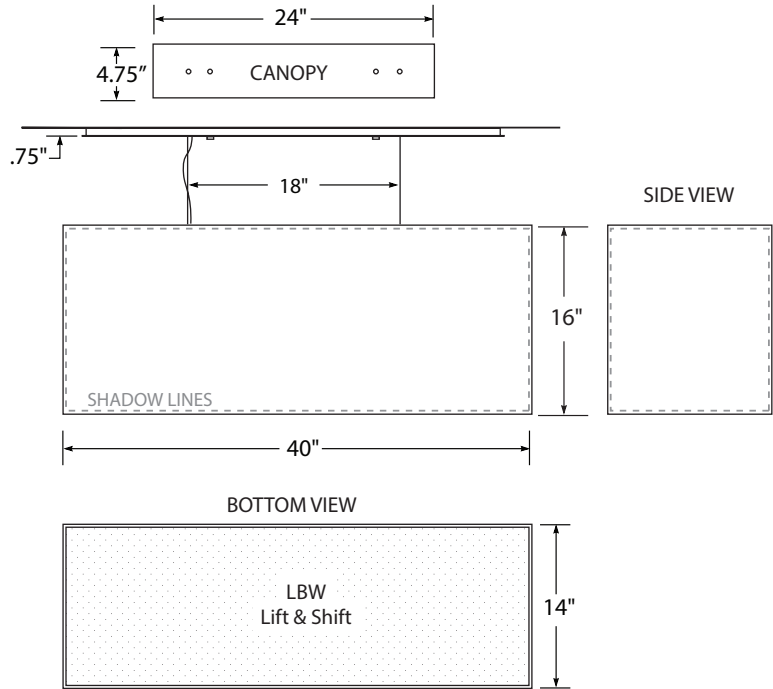
Project Name	Specifier Name & Location	Quantity
<input type="text"/>	<input type="text"/>	<input type="text"/>



Notes

# Box 40x14 Pendant P1440

Design modifications are always welcome.



- Welded steel / aluminum
- Two washable diffusers
- LBW etched white acrylic bottom lens
- LTW white acrylic top lens
- 6' black or white cord
- Two suspension cables
- Canopy finished to match frame
- Two toggle bolts for ceiling mount
- Suitable for damp locations

weight: 15 lbs

US LISTED  
MADE IN USA

<b>P1440</b>					
<b>CORD COLOR</b>	<b>FINISH</b>	<b>DIFFUSER</b>	<b>LAMPING</b>	<b>VOLTAGE</b>	
<input type="checkbox"/> Black <input type="checkbox"/> White	F2 Chrome F3 Black F4 Earth F5 Copper F6 Brass F7 Bronze F8 Steel F10 Hammered Copper F11 White	Select from any of our <b>LUMENATE®</b> Diffuser options.	L407 - LED 7605 Initial Lumens 50.4 W 3000K 0-10V 1% Dimming UNV  <i>Please contact customer service for component specifications including additional color temperatures.</i>  Lamps not included: 2/21W T5 2/39W HO T5	120V 277V 347V <i>CFL Only</i>	
<b>+ OPTIONS</b>					

## SUSPENSION OPTIONS

**STM** - Two Stems  
*Specify length in 1' increments.*

**CXX2** - Cord Extra (*Specify length*)

**CXS2** - Cord Braided Silver (*not LED*)

## CANOPY OPTIONS

**CAC** - Canopy Alternative Color

## LENS OPTIONS

**LTC5** - Top Lens Clear Acrylic

**LTYS** - Top Lens Metal Perf.

**LTOS** - Top Lens Opaque

**LBYS** - Bottom Lens Metal Perf.

**LBA5** - Applied LUMENATE® Bottom Lens

## LED OPTIONS

**EMI** - Internal Emergency Battery Backup  
*Requires Stems or 2 Power Cords*

## CFL BALLAST OPTIONS

- BDLI** - Dimming Ballast Lutron Internal
- BDAI** - Dimming Ballast Advance Internal
- BEI** - Emergency Ballast Internal

Project Name

Specifier Name & Location

Quantity

Notes

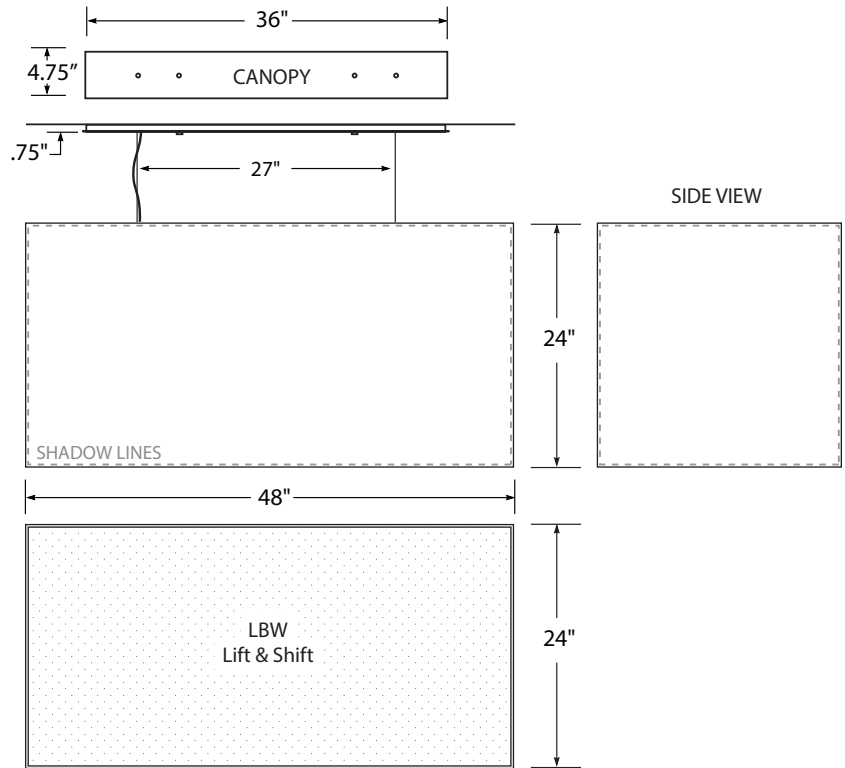


Lumetta Inc., 33 Minnesota Ave., Warwick, RI 02888 t 401-691-3994 f 401-921-1310 [www.lumetta.com](http://www.lumetta.com)

This design is the intellectual property of Lumetta, Inc. All rights reserved. Specifications are subject to change without notice.

# Box 48x24 Pendant P2448

Design modifications are always welcome.



- Welded steel / aluminum
- Two washable diffusers
- LBW etched white acrylic bottom lens
- LTW white acrylic top lens
- 6' black or white cord
- Two suspension cables
- Canopy finished to match frame
- Two toggle bolts for ceiling mount
- Suitable for damp locations

weight: 20 lbs



<b>P2448</b>					
<b>CORD COLOR</b>	<b>FINISH</b>	<b>DIFFUSER</b>	<b>LAMPING</b>	<b>VOLTAGE</b>	
<input type="checkbox"/> Black <input type="checkbox"/> White	F2 Chrome F3 Black F4 Earth F5 Copper F6 Brass F7 Bronze F8 Steel F10 Hammered Copper F11 White	Select from any of our <b>LUMENATE®</b> Diffuser options.	L408 - LED 10,140 Initial Lumens 67.2 W 3000K 0-10V 1% Dimming UNV  <i>Please contact customer service for component specifications including additional color temperatures.</i>  Lamps not included: 2/21W T5 2/39W HO T5 INC 3/ Med. Base	120V	
<b>+ OPTIONS</b>				277V	
				347V <i>CFL Only</i>	

### SUSPENSION OPTIONS

- STM** - Two Stems  
*Specify length in 1' increments.*
- CXX2** - Cord Extra (*Specify length*)
- CXS2** - Cord Braided Silver (*not LED*)

### CANOPY OPTIONS

- CAC** - Canopy Alternative Color

### LENS OPTIONS

- LTCS** - Top Lens Clear Acrylic
- LTY5** - Top Lens Metal Perf.
- LT05** - Top Lens Opaque
- LBYS** - Bottom Lens Metal Perf.
- LBA5** - Applied LUMENATE® Bottom Lens

### LED OPTIONS

- EMI** - Internal Emergency Battery Backup  
*Requires Stems or 2 Power Cords*

### CFL BALLAST OPTIONS

- BDLI** - Dimming Ballast Lutron Internal
- BDAI** - Dimming Ballast Advance Internal
- BEI** - Emergency Ballast Internal

Project Name	Specifier Name & Location	Quantity
<input type="text"/>	<input type="text"/>	<input type="text"/>

Notes

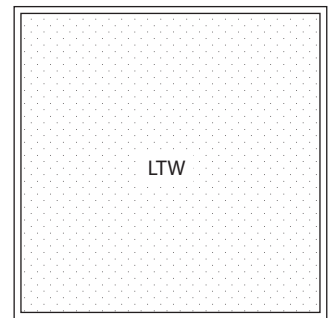
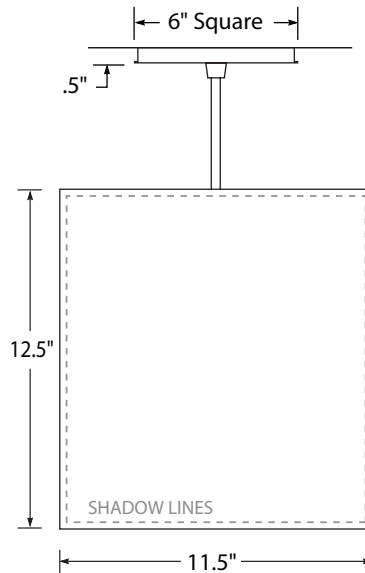


Lumetta Inc., 33 Minnesota Ave., Warwick, RI 02888 t 401-691-3994 f 401-921-1310 [www.lumetta.com](http://www.lumetta.com)

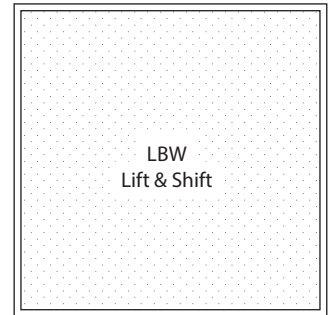
This design is the intellectual property of Lumetta, Inc. All rights reserved. Specifications are subject to change without notice.

# Box 12" Pendant P1112

Design modifications are always welcome.



TOP VIEW



BOTTOM VIEW

- Welded steel / aluminum
- LUMENATE® washable diffuser
- LBW etched white acrylic bottom lens
- LTW white acrylic top lens
- 6' black or white cord
- Canopy finished to match frame
- Mounts to standard J-box
- Suitable for damp locations

weight: 5 lbs  
 US LISTED  
 MADE IN USA

<b>P1112</b>					
<b>CORD COLOR</b>	<b>FINISH</b>	<b>DIFFUSER</b>	<b>LAMPING</b>	<b>VOLTAGE</b>	
<input type="checkbox"/> Black <input type="checkbox"/> White	F2 Chrome F3 Black F4 Earth F5 Copper F6 Brass F7 Bronze F8 Steel F10 Hammered Copper F11 White	Select from any of our <b>LUMENATE®</b> Diffuser options.	L411 - LED 2140 Initial Lumens 21W 3000K Dimming: 0-10V 1% UNV or 120V Phase  Please contact customer service for component specifications including additional color temperatures.  Lamps not included: CFL 1/32W TBX-GX24Q-3 INC 1/ Med. Base	120V 277V 347V <i>CFL Only</i>	<input type="checkbox"/> <input type="checkbox"/> <input type="checkbox"/>
<b>+ OPTIONS</b>					

- |   |   |  |   |
|---|---|--|---|
| <b>SUSPENSION OPTIONS</b><br><b>STM</b> - Field Cuttable Ball Swivel Stem with 1.75" deep canopy. Specify length in 1' increments.<br><b>CXX</b> - Cord Extra (Specify length)<br><b>CXS</b> - Cord Braided Silver (not LED)<br><b>A200</b> - Wall Mount Arc 34"<br><b>B200</b> - Wall Mount Linear 18" | <b>CANOPY OPTIONS</b><br><b>CAC</b> - Canopy Alternative Color<br><b>CF6</b> - Flair Canopy 6" Dia<br><b>CF105</b> - Flair Canopy 10.5" Dia.<br><b>C66</b> - Square Canopy 6"<br><b>C1010</b> - Square Canopy 10"<br><b>CLUSTER CANOPIES</b> - See website for a variety of sizes and options. Specify arrangement and heights. | <b>LENS OPTIONS</b><br><b>LTC2</b> - Top Lens Clear Acrylic<br><b>LTY2</b> - Top Lens Metal Perf.<br><b>LTO2</b> - Top Lens Opaque<br><br><b>LBY2</b> - Bottom Lens Metal Perf.<br><b>LBA2</b> - Applied LUMENATE® Bottom Lens | <b>LED OPTIONS</b><br><b>EMR</b> - Remote Emergency Battery Backup Requires Stem or 2 Power Cords<br><br><b>CFL BALLAST OPTIONS</b><br><b>BDLI</b> - Dimming Ballast Lutron Internal<br><b>BDAI</b> - Dimming Ballast Advance Internal<br><br><b>BER</b> - Emergency Ballast Remote |
|---|---|--|---|

Project Name	Specifier Name & Location	Quantity
<input type="text"/>	<input type="text"/>	<input type="text"/>



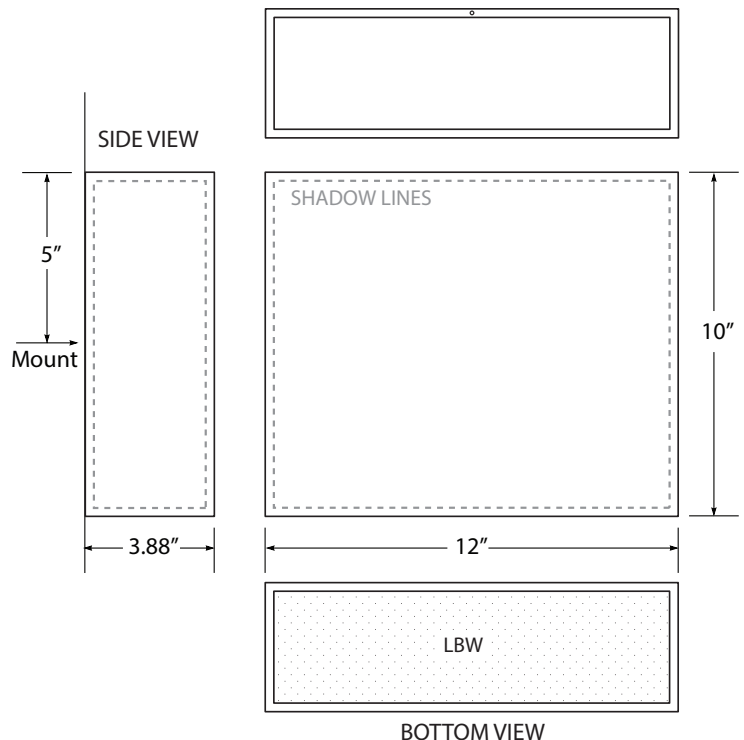
Notes

Lumetta Inc., 33 Minnesota Ave., Warwick, RI 02888 t 401-691-3994 f 401-921-1310 [www.lumetta.com](http://www.lumetta.com)

This design is the intellectual property of Lumetta, Inc. All rights reserved. Specifications are subject to change without notice.

# Box 12" Sconce W1210

Design modifications are always welcome.



- Welded steel
- LBW etched white acrylic bottom lens
- LUMENATE® washable diffuser
- Mounts to standard J-box
- Suitable for damp locations

weight: 4 lbs  
 C US LISTED  
 MADE IN USA

W1210 -  -  -  -  -

<p><b>FINISH</b></p> <p>F2 Chrome              F3 Black              F4 Earth              F5 Copper              F6 Brass              F7 Bronze              F8 Steel              F10 Hammered Copper              F11 White</p>	<p><b>DIFFUSER</b></p> <p>Select from any of our <b>LUMENATE®</b> Diffuser options.</p>	<p><b>LAMPING</b></p> <p>L401 - LED 1070 Initial Lumens 8.4 W              3000K 0-10V 10% Dimming UNV</p> <p><i>Please contact customer service for component specifications including additional color temperatures.</i></p>	<p><input type="text"/></p> <p><input type="text"/></p> <p><input type="text"/></p> <p><input type="text"/></p>
---	---	--	---

**+ OPTIONS**

**LENS OPTIONS**

- LTWW** - Top Lens White Acrylic
- LTWC** - Top Lens Clear Acrylic
- LTWY** - Top Lens Metal Perf.
- LTWO** - Top Lens Opaque

- LBWY** - Bottom Lens Metal Perf.
- LBWA** - Applied LUMENATE® Bottom Lens

**LED OPTION**

- EMR** - Remote Emergency Battery Backup

Project Name  Specifier Name & Location  Quantity



Notes



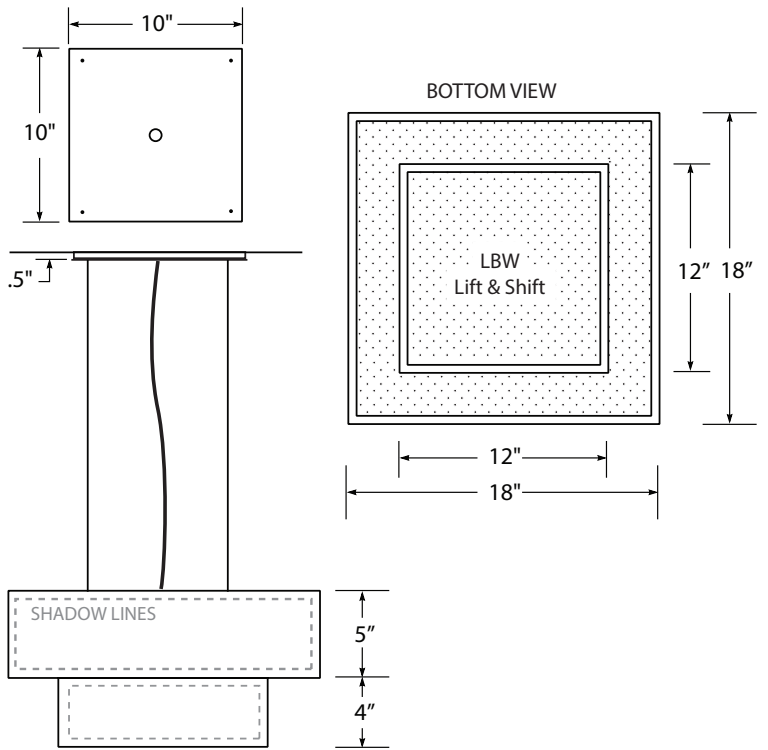
# Box 2Tier 18" Pendant P2TSQ1

Design modifications are always welcome.



- Welded steel
- LUMENATE® washable diffuser
- LBW etched white acrylic bottom lens
- LTW white acrylic top lens
- 6' black or white cord
- Four suspension cables
- Canopy finished to match frame
- Mounts to standard J-box
- Suitable for damp locations

weight: 9 lbs  
 US LISTED  
 MADE IN USA



<b>P2TSQ1</b>					
<b>CORD COLOR</b>	<b>FINISH</b>	<b>DIFFUSER</b>	<b>LAMPING</b>	<b>VOLTAGE</b>	
<input type="checkbox"/> Black <input type="checkbox"/> White	F2 Chrome F3 Black F4 Earth F5 Copper F6 Brass F7 Bronze F8 Steel F10 Hammered Copper F11 White	Select from any of our <b>LUMENATE®</b> Diffuser options.	L411 - LED 2140 Initial Lumens 21W 3000K Dimming: 0-10V 1% UNV or 120V Phase  <i>Please contact customer service for component specifications including additional color temperatures.</i>  Lamps not included: CFL 2/26W DBX-G24Q-3 INC 2/ Med. Base	120V 277V 347V <i>CFL Only</i>	

**+ OPTIONS**

SUSPENSION OPTIONS	CANOPY OPTIONS	LENS OPTIONS	LED OPTIONS
<b>STM</b> - Hang Straight Stem <i>Specify length in 1" increments</i>  <b>CXX4</b> - Cord Extra ( <i>Specify length</i> ) <b>CXS4</b> - Cord Braided Silver ( <i>not LED</i> )  <b>A200</b> - Wall Mount Arc 34"	<b>CAC</b> - Canopy Alternative Color	<b>LTC3</b> - Top Lens Clear Acrylic <b>LTY3</b> - Top Lens Metal Perf. <b>LTO3</b> - Top Lens Opaque  <b>LBY3</b> - Bottom Lens Metal Perf. <b>LBA3</b> - Applied LUMENATE® Bottom Lens	<b>EMR</b> - Remote Emergency Battery Backup <i>Requires Stem or 2 Power Cords</i>  <b>CFL BALLAST OPTIONS</b> <b>BDLI</b> - Dimming Ballast Lutron Internal <b>BDAI</b> - Dimming Ballast Advance Internal  <b>BER</b> - Emergency Ballast Remote

Project Name	Specifier Name & Location	Quantity
<input type="text"/>	<input type="text"/>	<input type="text"/>



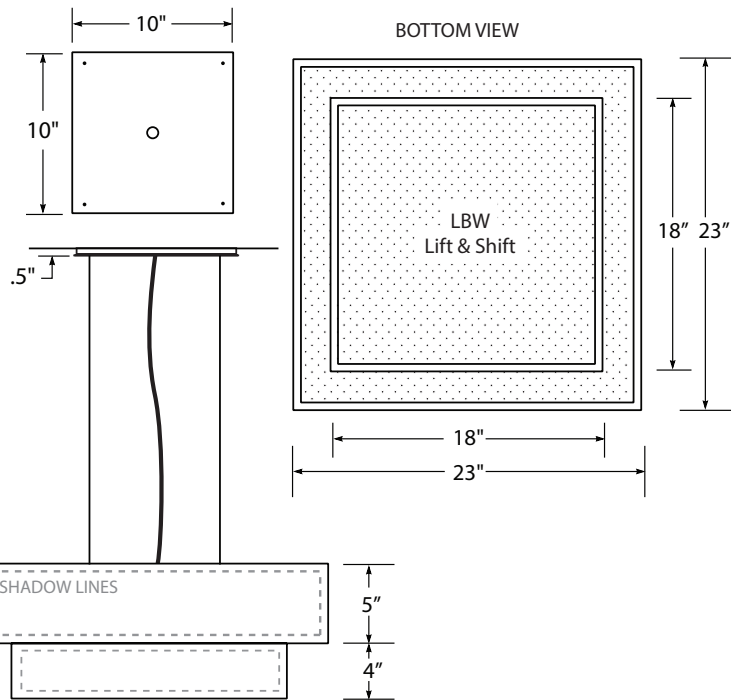
Notes

Lumetta Inc., 33 Minnesota Ave., Warwick, RI 02888 t 401-691-3994 f 401-921-1310 [www.lumetta.com](http://www.lumetta.com)

This design is the intellectual property of Lumetta, Inc. All rights reserved. Specifications are subject to change without notice.

# Box 2Tier 23" Pendant P2TSQ2

Design modifications are always welcome.



- Welded steel
- LUMENATE® washable diffuser
- LBW etched white acrylic bottom lens
- LTW white acrylic top lens
- 6' black or white cord
- Four suspension cables
- Canopy finished to match frame
- Mounts to standard J-box
- Suitable for damp locations

weight: 9.5 lbs  
 UL US LISTED  
 MADE IN USA

P2TSQ2 -  -  -  -  -  -

<p><b>CORD COLOR</b></p> <p><input type="checkbox"/> Black</p> <p><input type="checkbox"/> White</p>	<p><b>FINISH</b></p> <p>F2 Chrome              F3 Black              F4 Earth              F5 Copper              F6 Brass              F7 Bronze              F8 Steel              F10 Hammered Copper              F11 White</p>	<p><b>DIFFUSER</b></p> <p>Select from any of our <b>LUMENATE®</b> Diffuser options.</p>	<p><b>LAMPING</b></p> <p>L413 - LED 4812 Delivered Lumens 63 W              3000K Dimming: 0-10V 1% UNV or 120V Phase</p> <p><i>Please contact customer service for component specifications including additional color temperatures.</i></p> <p>Lamps not included:              CFL 2/26W DBX-G24Q-3              INC 2/ Med. Base</p>	<p><b>VOLTAGE</b></p> <p>120V              277V              347V <i>CFL Only</i></p>	<p><input type="text"/></p> <p><input type="text"/></p> <p><input type="text"/></p> <p><input type="text"/></p>
--	---	---	--	---	---

**+ OPTIONS**

- |   |   |   |  |
|---|---|---|--|
| <p><b>SUSPENSION OPTIONS</b></p> <p><b>STM</b> - Hang Straight Stem<br/>Specify length in 1" increments</p> <p><b>CXX4</b> - Cord Extra (Specify length)</p> <p><b>CXS4</b> - Cord Braided Silver (not LED)</p> <p><b>A200</b> - Wall Mount Arc 34"</p> | <p><b>CANOPY OPTIONS</b></p> <p><b>CAC</b> - Canopy Alternative Color</p> | <p><b>LENS OPTIONS</b></p> <p><b>LTC3</b> - Top Lens Clear Acrylic<br/> <b>LTY3</b> - Top Lens Metal Perf.<br/> <b>LTO3</b> - Top Lens Opaque</p> <p><b>LBY3</b> - Bottom Lens Metal Perf.<br/> <b>LBA3</b> - Applied LUMENATE® Bottom Lens</p> | <p><b>LED OPTIONS</b></p> <p><b>EMR</b> - Remote Emergency Battery Backup<br/>Requires Stem or 2 Power Cords</p> <p><b>CFL BALLAST OPTIONS</b></p> <p><b>BDLI</b> - Dimming Ballast<br/>Lutron Internal</p> <p><b>BDAI</b> - Dimming Ballast<br/>Advance Internal</p> <p><b>BEI</b> - Emergency Ballast Internal</p> |
|---|---|---|--|

Project Name  Specifier Name & Location  Quantity



Notes

# Cube 2Stem Pendant P771412R

Design modifications are always welcome.

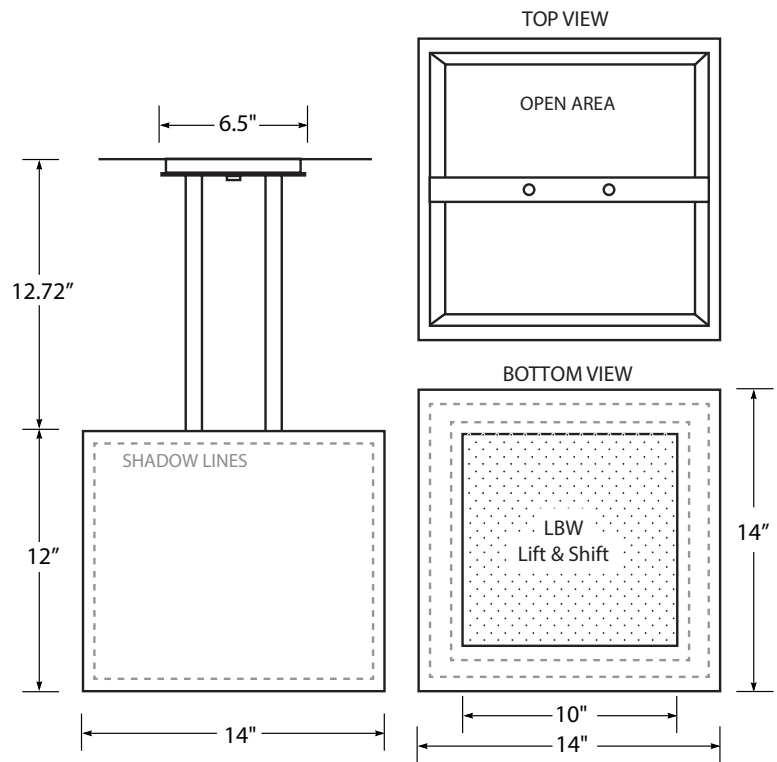


- Welded steel
- LUMENATE® washable diffuser
- LBW etched white acrylic bottom lens
- Two square 12" stems
- Canopy finished to match frame
- Mounts to standard J-box
- Suitable for damp locations

weight: 11 lbs



MADE IN USA



P771412R

### FINISH

- F2 Chrome
- F3 Black
- F4 Earth
- F5 Copper
- F6 Brass
- F7 Bronze
- F8 Steel
- F10 Hammered Copper
- F11 White

### DIFFUSER

Select from any of our **LUMENATE®** Diffuser options.

### LAMPING

L412 - LED 4280 Initial Lumens 42 W  
3000K Dimming: 0-10V 1% UNV or 120V Phase

*Please contact customer service for component specifications including additional color temperatures.*

*Lamps not included:*  
CFL 2/32W TBX-GX24Q-3  
INC 1/ Med. Base

### VOLTAGE

- 120V
- 277V
- 347V *CFL Only*

## + OPTIONS

### SUSPENSION OPTIONS

**STM** - Stem Length  
*Specify length & color*

### LENS OPTIONS

**LBAS** - Applied LUMENATE®  
Bottom Lens

### LED OPTIONS

**EMR** - Remote Emergency Battery Backup  
*Requires Stem or 2 Power Cords*

### CFL BALLAST OPTIONS

- BDLI** - Dimming Ballast  
Lutron Internal
- BDAI** - Dimming Ballast  
Advance Internal
- BER** - Emergency Ballast Remote

Project Name

Specifier Name & Location

Quantity

Notes

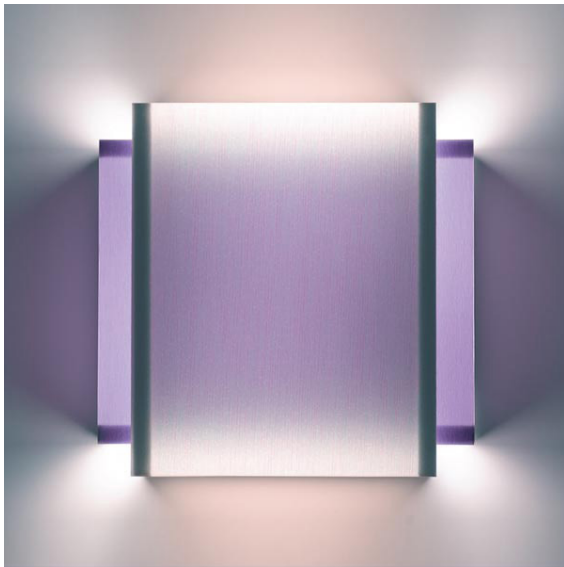


Lumetta Inc., 33 Minnesota Ave., Warwick, RI 02888 t 401-691-3994 f 401-921-1310 [www.lumetta.com](http://www.lumetta.com)

This design is the intellectual property of Lumetta, Inc. All rights reserved. Specifications are subject to change without notice.

# Four Square Sconce W1900

Design modifications are always welcome.

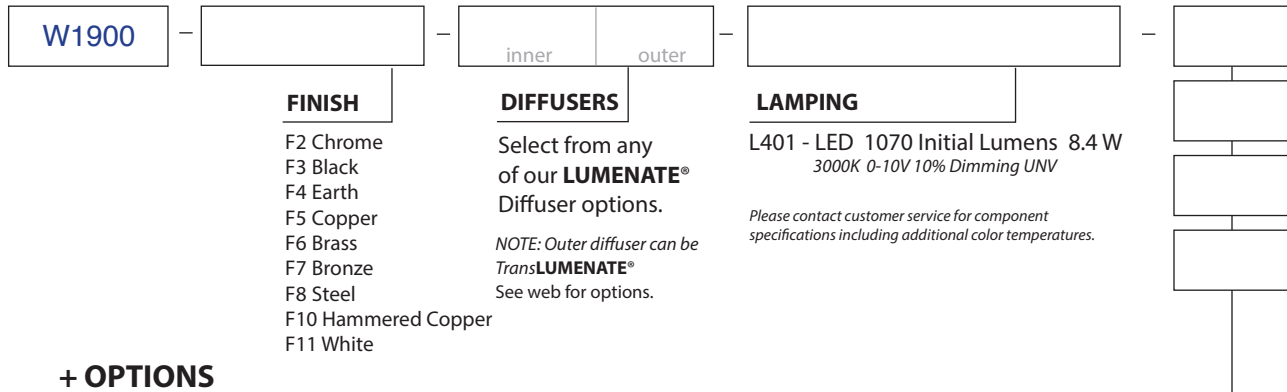
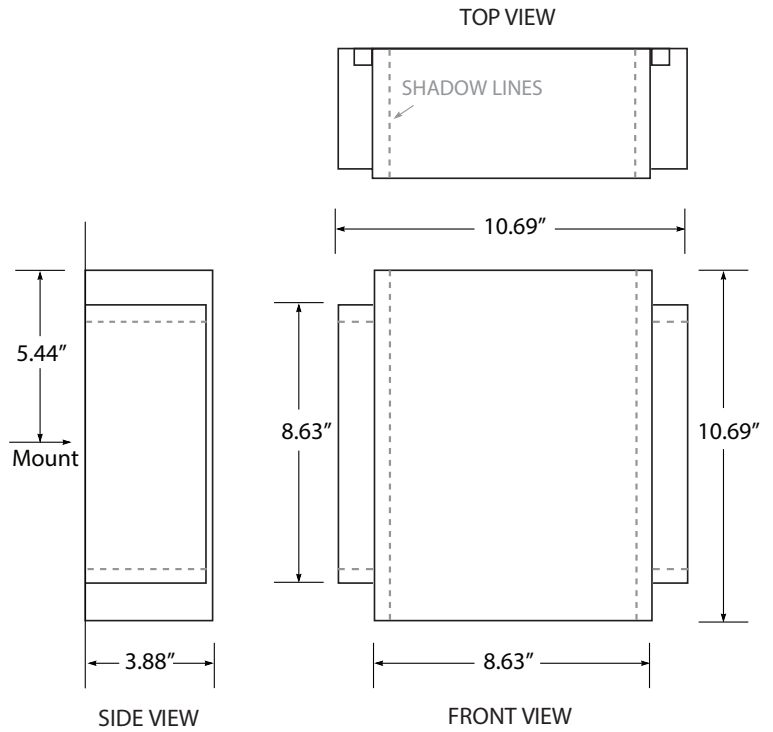


- Welded steel
- LUMENATE® washable diffusers
- Mounts to standard J-box
- Suitable for damp locations
- ADA

weight: 5 lbs



MADE IN USA



**+ OPTIONS**

Project Name  Specifier Name & Location  Quantity



Notes

Lumetta Inc., 33 Minnesota Ave., Warwick, RI 02888 t 401-691-3994 f 401-921-1310 [www.lumetta.com](http://www.lumetta.com)

This design is the intellectual property of Lumetta, Inc. All rights reserved. Specifications are subject to change without notice.