

vision  
innovation  
creativity  
collaboration

## Specification Sheet

Project Name:

Specifier Name & Location:

Quantity/Type:



### Gen 2 Stark S2 Drum 24" Surface Mount | SMS246S2G2

The contemporary solution to general lighting applications offers strong lighting properties and even lighting distribution that eases eye strain and makes for a more pleasant work environment.

#### Included:

- Two opaque Lumenate® washable shades
- Mounts to standard J-box
- Etched white acrylic removable bottom lens
- Suitable for damp locations
- Welded steel/aluminum

Weight: 13 lbs



### Lamping

L999 0-10V Dimming (19/38W) Direct Output Only  
\*Higher output available upon request.

### Output

- Low – 19W, 2,500 delivered lumens
- Medium – 28.5W, 3,750 delivered lumens
- High – 38W, 5,000 delivered lumens

### Color Temperature

- CCT 2700K CRI 90
- CCT 3000K CRI 90
- CCT 3500K CRI 90
- CCT 4000K CRI 90

Other CCTs available upon request.

### Voltage

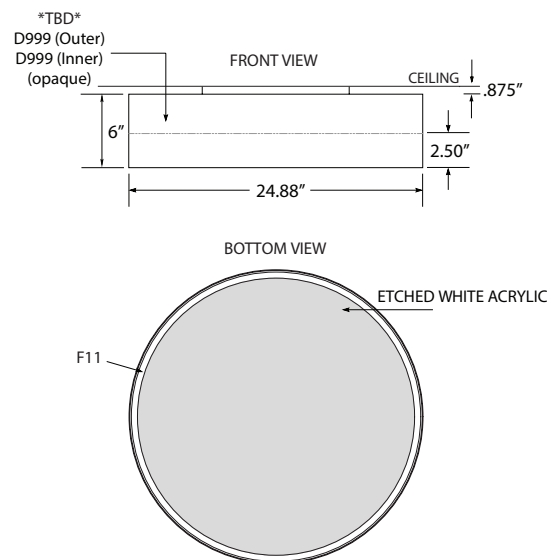
Universal Input (120V - 277V)

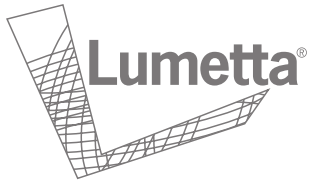
### LED Options

- EMR - Remote emergency battery backup

### Finishes

- F11 White





vision  
innovation  
creativity  
collaboration

---

---

## Specification Sheet

### **Outer Lumenate® Shade**

[View choices on website](#)

Select outer Lumenate® Shade

### **Inner Lumenate® Shade**

[View choices on website](#)

Select inner Lumenate® Shade